



EN Installation instructions and warnings

IT Istruzioni ed avvertenze per l'installazione

FR Instructions et avertissements pour l'installation

ES Instrucciones y advertencias para la instalación

DE Anweisungen und Hinweise für die Installation

PL Instrukcje i zalecenia dotyczące instalacji

NL Aanwijzingen en aanbevelingen voor de installatie

mhouse
4

GENERAL SAFETY WARNINGS AND PRECAUTIONS

The design and manufacture of the devices making up the product and the information in this manual fully comply with current standards governing safety. However, incorrect installation or programming may cause serious physical injury to those working on or using the system. For this reason, during installation, always strictly observe all instructions in this manual.

If in any doubt regarding installation, do not proceed and contact the Mhouse Technical Assistance for clarifications.

WORKING IN SAFETY!

Warning – for personal safety it is important to observe these instructions.

Warning – Important instructions for safety - therefore keep these instructions in a safe place to enable future product maintenance and disposal procedures.

Observe the following warnings:

– make electrical connections exclusively as envisaged in this manual incorrect: connections could cause serious damage to the system.

- The cables supplied must be used indoor and in protected environments. For use outdoors, the cables must be protected with adequate ducting.
- never touch the battery connector contacts with metal objects.

Considering the risk situations that may arise during installation phases and use of the product, the devices supplied in the pack must be installed in observance of the following warnings:

- never make any modifications to part of the devices other than those specified in this manual. Operations other than as specified can cause malfunctions. The manufacturer declines all liability for damage caused by makeshift modifications to the product.
- never place devices near to sources of heat and never expose to naked flames. This may damage system components and cause malfunctions, fire or hazardous situations.
- ensure that the devices cannot come into contact with water or other liquids. During installation ensure that no liquids penetrate the devices present.
- the product packaging material must be disposed of in full observance of current local legislation governing waste disposal.

KNOWLEDGE OF THE PRODUCT AND PREPARATION FOR INSTALLATION

CHAPTER 1 – DESCRIPTION AND INTENDED USE

PF is a solar power system designed for use with Mhouse automations for gates, garage doors, sun awnings and similar products (fig. 1).

Any other use is to be considered improper! The manufacturer declines all liability for damage resulting from improper use of the product and other than as specified in this manual.

This system uses exclusively solar power to run an automation, without the use of electrical mains power.

It can supply electrical energy continuously and permanently and can be used anywhere (for example to automate a gate situated far from the electrical mains).

The system comprises a photovoltaic panel and an electric battery:

– the **photovoltaic panel** is a device able to convert solar energy directly into electrical energy.

– the **battery** is a device that stores the electrical power produced by the photovoltaic panel during the hours of sunlight, making it available at any time of the day, including days with bad weather. A Led on the front section and an internal *buzzer* indicate the various charge/discharge conditions of the internal battery.

The rear of the battery is fitted with 4 holes for wall-mounting. The battery can be fixed permanently or suspended on hooks to enable future removal and transport. To facilitate transport, a handle is fitted and two separable connectors to enable quick detachment of the panel and automation.

CHAPTER 2 – COMPONENTS TO SET UP A COMPLETE POWER SUPPLY SYSTEM

Fig. 2 illustrates all components used to set up a complete power supply system. The components are:

- a) Photovoltaic panel mod. PC;
- b) Bracket for fixture of the photovoltaic panel;
- c) Metal hardware (screws, washers, etc.);
- d) Electric battery (mod. PB);
- e) Power cable for connection between the battery and automation;
- f) “L” type connectors;
- g) Screws for “L” type socket fixture.

• *Optional Accessories (not supplied in pack)*

PF enables complete autonomy of system power, provided that it is used within the limits as specified in chapter 3.

If these limits are exceeded, for example due to intensive use of the automation, the energy reserve may not be sufficient.

In these cases a power supply unit is available, (model PBC), for provisional connection to the electrical mains and rapid recharging of the battery.

CHAPTER 3 – PRELIMINARY INSTALLATION CHECKS AND PRODUCT APPLICATION LIMITS

To establish suitability of PF with respect to the automation to be powered, the checks described in this chapter must be performed.

Also check in the chapter “Product technical specifications” that the technical data of PF are suitable for the envisaged use and refer to the automation instruction manual (or addendums) to ensure that operation of the automation is envisaged with PF. **Caution!** - Simple presence of a connector for battery power supply does not imply compatibility. Products compatible with PF have been explicitly designed to reduce power consumption to a minimum when the automation is stationary, whereas a product that has not been optimised for such applications, may feature low consumption but risks excessive consumption, also when stationary, of the energy generated by the PF panel.

In the vicinity of the automation to be powered, locate the ideal point for installation of the photovoltaic panel and the battery, taking into consideration the following restraints.

- a) the application limits specified in this chapter;
- b) the length of the power cable (3 m) and the cable of the photovoltaic panel (3 m);
- c) the space available in the vicinity of the automation to be powered.

Also check the following:

- d) ensure that the selected surfaces for fixing the two devices are solid and guarantee a stable fixture.
- e) ensure that each device to be installed is in a sheltered location and protected against the risk of accidental impact.
- f) in particular, for each device ensure the following:

Photovoltaic panel

Ensure that the selected panel installation site guarantees 100% direct exposure to direct sunlight (full sun) every day of the year. In particular, ensure that the panel installation site is far from vegetation, walls or other situations that may create shade on the panel.

Caution! – the sensitive surface must be exposed to direct sunlight in all points; partial shade, even if small in size (for example caused by a leaf or other object) will significantly reduce the power capacity of the panel.

Also, after installation, check the possibility of correctly **positioning** and **inclining** the panel, with reference to the instructions in chapter 5.

Battery

To ensure optimal efficiency of the battery and prolonged lifetime, it should be installed in a location protected against high summer temperatures and low winter temperatures.

In fact the **battery charge performance** depends on the ambient temperature where the battery is installed; optimal efficiency is ensured at around 20°C while this is reduced at temperatures below zero.

On the other hand, battery lifetime is influenced above all by **high summer temperatures** (above 40°C), which accelerate part ageing. Normally the average lifetime is approx. 4-5 years; this also depends on the intensity of automation use. The ideal situation is to avoid excessive discharging of the battery due to very frequent and repetitive manoeuvre cycles over periods of time.

• Application limits: Maximum possible number of cycles per day within a set period of the year

PF enables complete autonomy of the system it powers, while the average energy produced by the photovoltaic panel (which in turn is proportional to that supplied by the sun) remains above that consumed by the automation.

A simple calculation enables an estimate of the maximum number of cycles per day performed by the automation in a certain period of the year, provided that a positive energy balance is maintained.

The first part of the calculation (**energy available**) is dealt with in this chapter, the second part of the calculation (**energy consumed**, i.e. the maximum number of cycles per day) is dealt with in the respective chapter in the automation instruction manual.

Caution! - Not all automations produced by Mhouse are compatible with PF. If the automation instruction manual (or addendums) does not contain the chapter with the calculation of the maximum number of cycles obtainable with energy supplied by PF, this means that the automation is not compatible.

Calculating the energy available in a set period of the year

To calculate the energy available in a set period of the year, proceed as follows (the calculation already takes into account the efficiency of the photovoltaic panel and battery performance):

01. Fig. 19 shows the average quantity of solar power radiated by the sun to the earth within one year. The 7 outlined areas show that the quantity of energy differs from zone to zone, due to a number of factors such as latitude, presence of clouds etc.
 - Therefore, in fig. 19 read value “**Ea**” of the average annual energy, available in your geographical area, as well as the degrees of **latitude** of your geographical location.
02. As well as the measured value “Ea”, the variable progress of energy available in the various periods of the year must be taken into account with reference to the specific zone. In fact, the quantity of energy varies (increases/decreases) according to the seasons (see the curves in **graphs AA** and **BB**): in the months with more exposure to sunlight (summer) much more energy is available with respect to winter months; this difference is less evident in the zones closer to the equator and more accentuated in the zones closer to the terrestrial poles.
 - Therefore, to calculate the **lowest number of** manoeuvre cycles per day, refer to **graph AA** (for zones north of the equator) or **graph BB** (for zones south of the equator) and select the **curve** related to your latitude and the **period** of the year with least exposure to sunlight (corresponding to the lowest point of

the curve). Then cross reference the two values, as shown in the example on the graph, to obtain the value “**Am**” (radiation within a set period).

03. Then calculate the value “**Ed**”, i.e. the energy available in your zone within the set period of the year, multiplying the values as follows: **Ea x Am = Ed**.
04. Lastly, to calculate the **maximum possible number of cycles per day, for the selected period**, calculate using the value “**Ed**” obtained (energy available) according to the instructions in the specific chapter of the automation instruction manual.

Warning – During the day, if the photovoltaic panel remains in the shade for a certain period of time (in particular from 10 am to 2 pm) the energy available decreases in proportion to the hours without panel exposure to sunlight.

CHAPTER 4 – BATTERY DISCHARGE

The previous chapter describes how to calculate the maximum number of automation cycles per day. This is an estimate based on the average energy available within the period of one year. In the event of long periods of particularly adverse weather conditions or when more manoeuvres are required than those usually admitted, the stored energy may run out.

When this occurs, the led on the battery indicates the battery discharged status with one flash at regular intervals (approx. 5 seconds) and beeps emitted in time with the Led: this signal may be temporary or permanent. In both cases, the battery must be recharged according to one of the following procedures:

A) rapid recharge of battery using power supply unit mod. PBC (optional accessory);

B) limit use of the automation until the weather conditions improve and enable recharging of the battery via the photovoltaic panel. In both cases, the “*battery discharged*” warning is cleared when the system reaches sufficient electrical autonomy to enable automation operation.

CHAPTER 5

STEP 1 – Assembly of photovoltaic panel support bracket

Assemble all components of the support bracket on the rear of the panel, as shown in **fig. 3**.

Caution! – The bracket at the rear of the panel must be positioned (**fig. 3-b**) according to the type of position in which the panel is mounted. To select the position, refer to **fig. 6**.

STEP 2 – Photovoltaic panel positioning

Caution! – For optimal operation of the panel, it must be positioned precisely in the selected location. Therefore, after performing the checks as described in chapter 3, strictly observe the following instructions: as a general rule, the panel must be positioned so that it can receive the maximum possible sunlight during the day and throughout the year. This means that its horizontal position and vertical angle must be calculated on the basis of the location where it is to be installed.

• **Ensure the correct position of the panel on the horizontal plane** as follows:

a) In the installation site, determine the cardinal points **NORTH** and **SOUTH**, with the aid of a compass or a geographical map of the location.

b) Then position the panel in the direction **NORTH** or **SOUTH**, according to the following:

- if the installation site is in a country **North of the equator** (United States; Europe; Russia; etc.) the panel must be positioned **exactly SOUTH**;
- if the installation site is in a country **South of the equator** (Latin America; Australia; Indonesia, etc.) the panel must be positioned **exactly NORTH**.

For further information, refer to **fig. 4**.

• **Ensure the correct position of the panel on the vertical plane** as follows:

Considering that it is preferable to ensure maximum efficiency of the panel during the winter period, when there is less energy available than in the summer, the panel should be positioned at an angle that ensures reception of the sun rays perpendicular (from front) to the sensitive surface.

This angle corresponds to the latitude of the location and can be read on any commercial geographical map. For example, Madrid has a latitude of 40°; Venice 45°; or London approx 50° etc. For further information, refer to **fig. 5**.

STEP 3 – Fixing the photovoltaic panel in the selected site

After establishing the precise position of the panel, fix to the selected surface as shown in **fig. 6**.

STEP 4 – Fixing the battery in the selected site

After performing the checks as described in chapter 3 and establishing the precise position of the battery, fix to the selected surface as shown in **fig. 13**. **Note** – use the 2 lower screws only if you wish to anchor the battery in a permanent position, i.e. when removal is not required.

STEP 5 – Cable routing

IMPORTANT! – The cables supplied must be used in indoor and protected environments. For use outdoors, the cables must be protected with adequate ducting.

After fixing the panel and battery, route the panel cable through the tube or protection ducting through to the battery.

With reference to the instruction manual of the automation to be powered, remove the control unit protection cover. Then pass the end of the power cable (with wires exposed) through the automation

(where the other cables are routed). Then route the cable through the protection ducting (if present) through to the battery.

Caution! – Do not connect the power cable to the control unit; leave access to the control unit open.

STEP 6 – Assembly of “L” socket on the photovoltaic panel cable

If the cable is too long, it can be shortened, taking care to strip the wires so that their length is equal to the values specified in the **fig. 20** (**caution!** – different lengths may impair subsequent assembly of the socket).

Then proceed with assembly of the **GREY** “L” type socket on the end of the panel cable, as follows:

01. Insert the various elements of the socket on the cable, taking care to observe the sequence as shown in **fig. 7**;

CAUTION! – Do not modify the electric jumper on the connector (**fig. 8**).

02. Using a slotted screwdriver, attach the **blue wire to terminal n° 1** on the connector and the **brown wire to the earthing terminal (4)** (**fig. 9**):

Note – The reference numbers and symbols are printed on the connector below the terminals and on the opposite side.

03. After fixing the two wires, insert the connector in its casing (**fig. 10**).

Important – The correct position of the connector is that with the earthing symbol in the lower position (see **fig. 10**);

04. Then pull the cable outwards from the socket and insert the seal and washer (**fig. 11-a-b**). Lastly, tighten the cable clamp (**fig. 11-c**) using a wrench, to guarantee completely sealed closure.

05. After assembling the socket, position the seal supplied on the connection side (**fig. 12**).

STEP 7 – Assembly of “L” socket on the power cable

If the cable is too long, it can be shortened, taking care to strip the wires so that their length is equal to the values specified in the **fig. 20** (**Caution!** – different lengths may impair subsequent assembly of the socket).

Then proceed with assembly of the **BLACK** “L” type socket on the end of the power cable, as follows:

01. Insert the various elements of the socket on the cable, taking care to observe the sequence as shown in **fig. 7**;

CAUTION! – Do not modify the electric jumper on the connector (**fig. 8**).

02. Using a slotted screwdriver, attach the **blue wire to terminal n° 1** on the connector and the **brown wire to the earthing terminal (4)** (**fig. 9**):

Note – The reference numbers and symbols are printed on the connector below the terminals and on the opposite side.

03. After fixing the two wires, insert the connector in its casing (**fig. 10**).

Important – The correct position of the connector is that with the earthing symbol in the lower position (see **fig. 10**);

04. Then pull the cable outwards from the socket and insert the seal and washer (**fig. 11-a-b**). Lastly, tighten the cable clamp (**fig. 11-c**) using a wrench, to guarantee a completely sealed closure.

05. After assembling the socket, position the seal supplied on the connection side (**fig. 12**).

STEP 8 – Connecting the photovoltaic panel to the battery

To connect the panel to the battery, proceed as follows:

01. Connect the **GREY** “L” type socket to the “**IN**” connector on the battery (**fig. 14**);

02. To select the most suitable connection configuration for the

connection of all system devices, refer to the example shown in **fig. 15. Note** – If frequent disconnection of the battery plug is envisaged, use the screw in **fig. 16-a**. Otherwise use the screw in **fig. 16-b**.

Caution! - When the battery is recharging via the photovoltaic panel, the red led emits 2 short flashes every 5 seconds. Therefore check that this signal is present when the panel is exposed to the sunlight.

STEP 9 – Connecting the battery to the automation

To connect the battery to the automation, proceed as follows:

- 01.** Connect the **BLACK** “L” type socket to the “**OUT**” connector on the battery (**fig. 17**);
- 02.** To select the most suitable connection configuration for the connection of all system devices, refer to the example shown in **fig. 18. Note** – If frequent disconnection of the battery plug is envisaged, use the screw in **fig. 16-a**. Otherwise use the screw in **fig. 16-b**.
- 03.** Access the control unit of the automation and insert the power cable connector in the buffer battery socket on the control unit. *To locate this socket, refer to the instruction manual of the automation to be powered.*

Caution! - when the automation is powered by PF, it must **NEVER BE POWERED** via the mains at the same time.

— General note —

IMPORTANT – After connecting the product to the automation, the system may not be operative immediately; this depends on the fact that the battery may be discharged due to the natural process of discharging over time, even when stored. In this case, there are two ways to proceed:

- A)** Disconnect the battery from the automation control unit and wait for a few days for the photovoltaic panel to receive sufficient sunlight in order to recharge the battery;
- B)** Proceed with rapid recharge of battery using back-up power supply unit mod. PBC (optional accessory).

— Visual and audible signals —

The PF is equipped with a led and a buzzer.

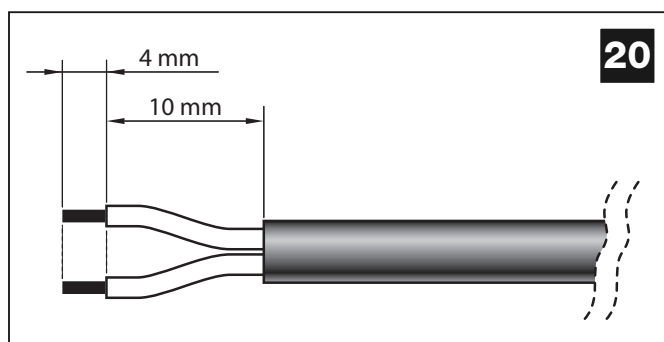
- When the battery is recharging (via the photovoltaic panel or battery charger) the red led emits 2 short flashes every 5 seconds. Therefore check that this signal is present, also after installation, when the panel is exposed to the sunlight.
- When the battery has completed charging via the battery charger, the led remains permanently lit.
- When the battery is discharged, the red led emits one short flash every 5 seconds, accompanied by a beep.

— Notes for use —

- **NEVER leave the battery connected to the automation if the photovoltaic panel is not also connected and operational.**

Caution! - If the battery is not sufficiently recharged, the reserve will run out within a few days.

- **If the automation is not used for prolonged periods, detach the connectors of the automation and photovoltaic panel from the battery and store the latter in a cool and dry location.**



WHAT TO DO IF... (troubleshooting guide)

- **The automation control unit does not turn on and the led remains off.**

This may be caused by incorrect connections or electric wires not fully inserted. Otherwise the battery may be totally discharged, in which case no signal can be sent: in this case a rapid recharge is required by means of power supply unit (mod. PBC) or wait for the photovoltaic panel (connected correctly) to recharge the battery.

- **The battery tends to discharge too quickly.**

This may depend on excessive ageing of the battery, in which case it should be replaced; otherwise it may be due to excessively intensive use of the automation, over the application limits envisaged in this manual, found in chapter 3.

Otherwise the automation may not be compatible for operation with PF, or the automation is incorrectly configured for low consumption, or too many accessories are connected.

- **The battery no longer recharges.**

This may be due to a malfunction of the photovoltaic panel caused by incorrect installation, incorrect cable connections, or malfunction of the battery.

PERIODIC MAINTENANCE OPERATIONS

In general, this product does not require special maintenance; however, regular checks over time will ensure system efficiency.

Therefore, to ensure correct maintenance, check every 6 months that the photovoltaic panel has not accumulated dirt (leaves, sand, etc.) as this may reduce efficiency.

Also check whether battery replacement is required, as the ageing process reduces autonomy over time.

Take into account that battery lifetime is influenced above all by high summer temperatures, which accelerate part ageing. Normally the average lifetime is approx. 4-5 years; this also depends on the intensity of automation use: The ideal situation is to avoid excessive discharging of the battery due to very frequent and repetitive manoeuvre cycles over periods of time.

CAUTION – The battery must be replaced exclusively by skilled and qualified personnel.

DISPOSAL

Product disposal

This product is an integral part of the automation and therefore must be disposed together with the latter.

As in installation, also at the end of product lifetime, the disassembly and scrapping operations must be performed by qualified personnel. This product comprises various types of materials: some may be recycled others must be disposed of. Seek information on the recycling and disposal systems envisaged by the local regulations in your area for this product category.

Caution! – some parts of the product may contain pollutant or hazardous substances which, if disposed of into the environment, may cause serious damage to the environment or physical health.

As indicated by the symbol alongside, disposal of this product in domestic waste is strictly prohibited. Separate the waste into categories for disposal, according to the methods envisaged by current legislation in your area, or return the product to the retailer when purchasing a new version.



The product also contains a lead battery, i.e. an element that is highly pollutant if not disposed of correctly. The battery must be removed and disposed of as specified in the paragraph "Battery disposal".

Caution! – Local legislation may envisage serious fines in the event of abusive disposal of this product.

Battery disposal

Caution! – The battery contains pollutant substances and therefore must NEVER be disposed of in common waste collection points after removal. Dispose of or recycle according to current local standards.

TECHNICAL SPECIFICATIONS OF PRODUCT COMPONENTS

WARNINGS: • The product PF is produced by Nice S.p.a. (TV) I. **Mhouse** is a commercial trademark owned by Nice S.p.a. • All technical specifications stated herein refer to an ambient temperature of 20°C (± 5°C) • Nice S.p.a. reserves the right to apply modifications to the product at any time as deemed necessary, while maintaining the same functionalities and intended use • The estimated minimum number of manoeuvres per day, is applicable exclusively with the photovoltaic panel positioned correctly and in the conditions as specified in chapter 3 under the heading "Application Limits".

PB BATTERY

DESCRIPTION	DATA
Rated voltage:	24 V $\overline{\text{---}}$
Maximum current:	10 A
Rated battery capacity:	20 Ah
Protection rating:	IP 44
Operation temperature:	from -20°C to +50°C (when charging using the back-up power supply unit: from 0°C to +40°C)
Complete recharging time:	approx. 15 hours (when using the back-up power supply unit)
Dimensions:	258 mm x 235 mm x 180 mm
Weight:	14 kg

Note – The batteries used on PB are type VRLA, "Valve Regulated Lead Acid Batteries", i.e. sealed and valve-controlled, compliant with the specific provision A67 of the IATA/ICAO Regulation governing hazardous products. PB and PF are therefore not considered hazardous goods and may be transported without any risk by air, sea and on road.

PC PHOTOVOLTAIC PANEL

DESCRIPTION	DATA
Rated voltage:	24 V $\overline{\text{---}}$
Maximum power:	10 W
Operation temperature:	from -40°C to +85°C
Dimensions:	354 mm x 290 mm x 28 mm
Weight:	1,4 Kg

Warning – The glass of the photovoltaic panel has been tested to resist to hailstones and medium entity impact (resistant to impact with a steel sphere of 227 g, falling from a height of 1 metre). In the event of particularly consistent hail or impact, the glass may be damaged; in this case contact the Mhouse Technical Assistance service.

CE DECLARATION OF CONFORMITY

Note - The contents of this declaration correspond to those of the last revision available of the official document, deposited at the registered offices of Nice S.p.a., before printing of this manual. The text herein has been re-edited for editorial purposes.

PF is produced by Nice S.p.a. (TV) I; Mhouse is a commercial trademark owned by Nice S.p.a.

Number: 304/PF **Revision: 0**

The undersigned Luigi Paro, in the role of Managing Director, declares under his sole responsibility, that the product:

Manufacturer's Name: NICE s.p.a.

Address: Via Pezza Alta 13, Z.I. Rustignè, 31046 Oderzo (TV) Italy

Type: Mhouse solar power kit

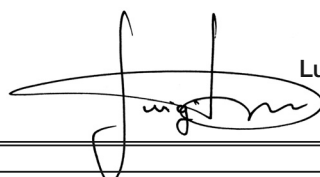
Models: PF

Accessories: PBC

conform with the requirements of the following EC directives:

- 2006/95/EEC (ex-directive 73/23/EC) DIRECTIVE 2006/95/EC OF THE EUROPEAN PARLIAMENT AND OF THE COUNCIL of 12 December 2006 concerning standardization of member states on electrical material to be used within certain voltage limits, in accordance with the following harmonized standard:
EN 60335-1:2002 + A1:2004 + A11:2004 + A12:2006 + A2:2006
- 2004/108/EEC (ex-directive 89/336/EEC) DIRECTIVE 2004/108/EC OF THE EUROPEAN PARLIAMENT AND OF THE COUNCIL of 15 December 2004 concerning standardization of the legislation of member states on electromagnetic compatibility and which repeals 89/336/EEC, in accordance with the following standards:
EN 61000-6-2:2005; EN 61000-6-3:2007

Oderzo, 11.03.2009



Luigi Paro (Managing Director)

AVVERTENZE E PRECAUZIONI GENERALI PER LA SICUREZZA

La progettazione, la fabbricazione dei dispositivi che compongono il prodotto e le informazioni contenute nel presente manuale rispettano pienamente le normative vigenti sulla sicurezza. Ciò nonostante, un'installazione errata può causare gravi ferite alle persone che eseguono il lavoro e a quelle che useranno l'impianto. Per questo motivo, durante l'installazione, è importante seguire attentamente tutte le istruzioni riportate in questo manuale.

Non procedere con l'installazione se si hanno dubbi di qualunque natura e richiedere eventuali chiarimenti al Servizio Assistenza Mhouse.

OPERARE IN CONDIZIONI DI SICUREZZA!

Attenzione – Per la sicurezza delle persone è importante rispettare queste istruzioni.

Attenzione – Istruzioni importanti per la sicurezza, quindi, conservare queste istruzioni per facilitare eventuali interventi futuri di manutenzione o di smaltimento del prodotto.

Rispettare le seguenti avvertenze:

– effettuare esclusivamente i collegamenti elettrici previsti nel presente manuale: un'errata esecuzione dei collegamenti potrebbe causare gravi danni al sistema.

– I cavi in dotazione devono essere utilizzati in ambienti interni e protetti. Per poterli utilizzare all'esterno è necessario proteggere i cavi con adeguati condotti di protezione.

– non toccare con oggetti metallici i contatti dei connettori presenti sull'accumulatore.

Considerando le situazioni di rischio che possono verificarsi durante le fasi d'installazione e di uso del prodotto è necessario installare i dispositivi presenti nella confezione osservando le seguenti avvertenze:

– non eseguire modifiche su nessuna parte dei dispositivi, se non quelle previste nel presente manuale. Operazioni non permesse possono solo causare malfunzionamenti. Il costruttore declina ogni responsabilità per danni derivanti da prodotti modificati arbitrariamente.

– non mettere i dispositivi vicino a fonti di calore né esporli a fiamme libere. Tali azioni possono danneggiarli ed essere causa di malfunzionamenti, incendio o situazioni di pericolo.

– evitare che i dispositivi possano venire immersi in acqua o in altre sostanze liquide. Durante l'installazione evitare che dei liquidi possano penetrare all'interno dei dispositivi.

– il materiale dell'imballaggio del prodotto deve essere smaltito nel pieno rispetto della normativa presente a livello locale.

CONOSCENZA DEL PRODOTTO E PREPARAZIONE ALL'INSTALLAZIONE

CAPITOLO 1 – DESCRIZIONE E DESTINAZIONE D'USO

PF è un sistema di alimentazione a energia solare destinato agli automatismi Mhouse per cancelli, portoni da garage, tende da sole e prodotti similari (fig. 1).

Ogni altro uso è da considerarsi improprio! Il costruttore non risponde dei danni risultanti da un uso improprio del prodotto, diverso da quanto previsto nel presente manuale.

Questo sistema sfrutta esclusivamente l'energia solare per alimentare un'automazione, senza l'ausilio del collegamento alla rete elettrica.

È in grado di erogare energia elettrica in modo continuo e permanente e può essere utilizzato ovunque (ad esempio, per automatizzare un cancello collocato lontano dalla rete elettrica).

Il sistema è composto da un pannello fotovoltaico e da un accumulatore di energia elettrica:

– il **pannello fotovoltaico** è un dispositivo in grado di convertire l'energia solare direttamente in energia elettrica.

– l'**accumulatore** è un dispositivo che immagazina l'energia elettrica prodotta dal pannello fotovoltaico durante le ore di sole e la rende disponibile in ogni ora del giorno, compresi i giorni con cattivo tempo. Un Led sulla parte frontale ed un *buzzer* interno segnalano i vari stati di carica o scarica della batteria interna.

Sul retro dell'accumulatore sono presenti 4 fori per il fissaggio a parete. È possibile ottenere un fissaggio fisso e permanente oppure un fissaggio con ganci che permettono la rimozione ed il trasporto dell'accumulatore. Per facilitare quest'ultima operazione è presente una maniglia e due connettori separabili, per poter scollegare velocemente il pannello e l'automatismo.

CAPITOLO 2 – COMPONENTI PER REALIZZARE UN SISTEMA DI ALIMENTAZIONE COMPLETO

La **fig. 2** mostra tutti i componenti necessari per poter realizzare un sistema di alimentazione completo. I componenti sono:

- Pannello fotovoltaico mod. PC;
- Staffa per il fissaggio del pannello fotovoltaico;
- Minuteria metallica (viti, rondelle, ecc.);
- Accumulatore di energia elettrica mod. PB;
- Cavo di alimentazione per il collegamento tra l'accumulatore e un'automatismo;

f) Connettori "a pipetta";

g) Viti per il fissaggio della presa "a pipetta".

• Accessori opzionali (non presenti nella confezione)

PF consente la completa autonomia energetica dell'impianto, solo se viene utilizzato nel rispetto dei limiti riportati nel capitolo 3.

Se questi limiti vengono superati, – ad esempio a causa di un uso intensivo dell'automazione, – può verificarsi l'esaurimento dell'energia accumulata.

Per questi casi è disponibile un alimentatore, modello PBC, da collegare provvisoriamente alla rete elettrica per ricaricare velocemente l'accumulatore.

CAPITOLO 3 – VERIFICHE PRELIMINARI ALL'INSTALLAZIONE E LIMITI D'IMPIEGO DEL PRODOTTO

Per stabilire l'idoneità di PF rispetto all'automatismo da alimentare occorre effettuare le verifiche descritte in questo capitolo.

Inoltre, controllare nel capitolo "Caratteristiche tecniche del prodotto" se i dati tecnici di PF sono appropriati per l'utilizzo previsto e verificare nel manuale di istruzioni (o negli addendum) dell'automatismo se il funzionamento di quest'ultimo è previsto con PF. **Attenzione!** - La sola presenza di un connettore per l'alimentazione a batterie non è indice di compatibilità. I prodotti compatibili con PF sono stati espressamente progettati per ridurre all'essenziale il consumo energetico quando l'automatismo è fermo, mentre un prodotto non ottimizzato, pur consumando poco, rischia di consumare, anche da fermo, gran parte dell'energia prodotta dal pannello del PF.

Individuare vicino l'automatismo da alimentare, il punto più adatto per installare il pannello fotovoltaico e l'accumulatore, tenendo in considerazione i seguenti vincoli:

- i limiti d'impiego descritti in questo capitolo;
- la lunghezza del cavo di alimentazione (3 m) e di quello del pannello fotovoltaico (3 m);
- lo spazio disponibile in prossimità dell'automatismo da alimentare. Inoltre, effettuare le seguenti verifiche:
- verificare che le superfici scelte per fissare i due dispositivi siano solide e possano garantire un fissaggio stabile.
- verificare che ciascun dispositivo da installare sia collocato in una

posizione protetta da urti accidentali.

f) in particolare, per ciascun dispositivo, verificare quanto segue:

Pannello fotovoltaico

Accertarsi che il luogo prescelto per l'installazione del pannello possa garantire il 100% dell'insolazione diretta (sole pieno), in qualsiasi giornata dell'anno. In particolare, installare il pannello lontano da vegetazione, muri o altre situazioni che possano creare zone d'ombra sulla sua superficie. **Attenzione! – la superficie sensibile deve essere irradiata dai raggi solari in ogni punto e in modo diretto; un'ombra parziale, anche se di piccole dimensioni (ad esempio, dovuta, a una foglia o ad altro), riduce la capacità energetica del pannello.**

Inoltre accertarsi che dopo la sua installazione ci sia la possibilità di **orientare** e **inclinare** correttamente il pannello, secondo le istruzioni riportate nel capitolo 5.

Accumulatore

Per ottenere dall'accumulatore un'efficienza ottimale e una lunga durata, è preferibile installare quest'ultimo in un punto protetto dalle alte temperature estive e dalle basse temperature invernali.

Infatti, il **rendimento dell'accumulatore** dipende dalla temperatura dell'ambiente in cui questo è installato; l'efficienza è ottimale intorno ai 20°C mentre si riduce per temperature sotto lo zero.

Invece, la **longevità dell'accumulatore** è influenzata soprattutto dalle alte temperature estive (sopra i 40°C) che accelerano l'invecchiamento delle parti. Normalmente la vita media è di circa 4-5 anni; questa dipende anche dall'intensità con la quale si usa l'automazione. L'ideale è non lasciare che l'accumulatore si scarichi eccessivamente a causa di manovre ravvicinate e prolungate nel tempo.

• Limiti d'impiego: numero massimo possibile di cicli al giorno, in un determinato periodo dell'anno

PF consente la completa autonomia energetica dell'impianto che alimenta, fino a quando l'energia media prodotta dal pannello fotovoltaico (che a sua volta è proporzionale a quella fornita dal sole) rimane superiore a quella consumata dall'automatismo.

Con un semplice calcolo è possibile stimare il numero massimo di cicli al giorno che l'automazione può eseguire in un determinato periodo dell'anno, affinché questo bilancio energetico rimanga positivo.

La prima parte del calcolo (l'**energia disponibile**) è trattata in questo capitolo; la seconda parte del calcolo (l'**energia consumata**, cioè il numero massimo di cicli al giorno) è trattata nel rispettivo capitolo presente nel manuale dell'automatismo.

Attenzione! - Non tutti gli automatismi prodotti da Mhouse sono compatibili con PF. Se nel manuale di istruzioni (o negli addendum) dell'automatismo non c'è il capitolo per il calcolo dei cicli massimi ottenibili con l'energia fornita da PF, significa che l'automatismo non è compatibile.

Stabilire l'energia disponibile in un determinato periodo dell'anno

Per stabilire l'energia disponibile in un determinato periodo dell'anno, procedere nel modo seguente (il calcolo tiene già conto dell'efficienza del pannello fotovoltaico e del rendimento dell'accumulatore):

01. La **fig. 19** mostra la quantità media di energia solare irradiata dal sole sulla Terra, nell'arco di un anno. Le 7 aree evidenziate indicano che la quantità di energia risulta diversa da zona a zona, a causa di alcuni fattori come la latitudine, la presenza o meno di corpi nuvolosi ecc..

— Quindi, nella **fig. 19** rilevare il valore "**Ea**" dell'energia media annua, disponibile nella vostra zona geografica; inoltre rilevare anche i gradi della **latitudine** a cui si trova la vostra zona.

02. Oltre al valore "Ea" rilevato, per la vostra zona occorre considerare anche l'andamento variabile dell'energia, nei vari periodi dell'anno. Infatti, a causa del susseguirsi delle stagioni, la quantità di energia varia in più o in meno (vedere le curve dei **grafici AA** e **BB**): nei mesi con maggior insolazione (quelli estivi) è disponibile molta più energia che nei mesi invernali; questa differenza è meno evidente nelle zone verso l'equatore e più accentuata nelle zone verso i poli terrestri.

— Quindi, se si desidera conoscere il **numero più basso** di cicli

di manovre al giorno, scegliere nel **grafico AA** (per le zone a nord dell'equatore) o nel **grafico BB** (per le zone a sud dell'equatore) la **curva** relativa alla vostra latitudine e il **periodo** dell'anno con l'irraggiamento minore (questo corrisponde al punto più basso della curva). Infine incrociare i due dati, come nell'esempio all'interno del grafico, per ottenere il valore "**Am**" (irraggiamento relativo a un periodo).

03. A questo punto calcolare il valore "**Ed**", cioè l'energia disponibile nella vostra zona per quel determinato periodo dell'anno, moltiplicando i dati come segue: **Ea x Am = Ed**.

04. Infine, per ottenere il **numero massimo possibile di cicli al giorno, per il periodo scelto**, proseguire il calcolo utilizzando il dato "**Ed**" trovato (energia disponibile) e le istruzioni riportate nel capitolo specifico del manuale dell'automatismo.

Avvertenza - Se durante la giornata il pannello fotovoltaico rimane in ombra per una parte del tempo (in particolare, dalle ore 10.00 alle ore 14.00), l'energia disponibile si riduce in funzione delle ore mancanti di esposizione del pannello al sole.

CAPITOLO 4 – ESAURIMENTO DELLA CARICA ELETTRICA DELL'ACCUMULATORE

Nel capitolo precedente è stato descritto come calcolare il numero massimo possibile di cicli al giorno dell'automazione. Si tratta di una stima sulla base dell'energia mediamente disponibile lungo l'arco dell'anno. Se ci fosse un lungo periodo di tempo con clima particolarmente avverso o se per particolari esigenze ci fosse la necessità di eseguire più manovre di quelle consentite, potrebbe capitare di esaurire l'energia accumulata.

Quando questo accade, il Led sull'accumulatore segnala lo stato di batteria scarica con 1 lampeggio ciclico del Led (ad intervalli di circa 5 secondi) e con dei "beep" acustici sincronizzati con il Led: questa segnalazione può essere temporanea o permanente. In ambedue i casi, occorre ricaricare l'accumulatore procedendo in uno dei seguenti modi:

A) effettuare una ricarica veloce dell'accumulatore utilizzando l'alimentatore mod. PBC, accessorio opzionale;

B) limitare l'uso dell'automazione in attesa che migliorino le condizioni climatiche e permettano così la ricarica dell'accumulatore attraverso il pannello fotovoltaico. In ambedue le circostanze, l'avviso di "**batteria scarica**" termina quando il sistema raggiunge una sufficiente autonomia elettrica per far funzionare l'automazione.

CAPITOLO 5

PASSO 1 – Assemblaggio della staffa di supporto del pannello fotovoltaico

Assemblare tutti i componenti della staffa di supporto sul retro del pannello, procedendo come mostrato in **fig. 3**.

Attenzione! – La staffa dietro al pannello deve essere posizionata (**fig. 3-b**) in funzione del tipo di posizione in cui verrà fissato il pannello. Per scegliere questa posizione vedere la **fig. 6**.

PASSO 2 – Posizionamento del pannello fotovoltaico

Attenzione! – Per il buon funzionamento del pannello è necessario che questo venga posizionato con molta precisione nel punto prescelto. Quindi, dopo aver effettuato le verifiche riportate nel capitolo 3, seguire scrupolosamente le seguenti istruzioni: in linea di principio, il pannello deve essere posizionato in modo che possa ricevere il massimo della luce solare nell’arco della giornata e nell’evolversi dell’anno. Questo significa che il suo orientamento sul piano orizzontale e l’inclinazione sul piano verticale devono essere calcolati in funzione del luogo in cui il pannello viene installato.

• **Definire il corretto orientamento del pannello sul piano orizzontale**, procedendo nel modo seguente:

a) Determinare sul luogo dell’installazione, i punti cardinali del **NORD** e del **SUD**, aiutandosi con una bussola o una cartina geografica del luogo.

b) Orientare quindi il pannello in direzione **NORD** o **SUD**, in base alle seguenti considerazioni:

– se il luogo dell’installazione si trova in un Paese a Nord dell’equatore (Stati Uniti; Europa; Russia; ecc.) il pannello deve essere orientato **esattamente in direzione SUD**;

– se il luogo dell’installazione si trova in un Paese a Sud dell’equatore (America Latina; Australia; Indonesia; ecc.) il pannello deve essere orientato **esattamente in direzione NORD**.

Per maggiore chiarezza, fare riferimento alla **fig. 4**.

• **Definire il corretto orientamento del pannello sul piano verticale**, procedendo nel modo seguente:

Considerando che è preferibile ottenere la massima efficienza del pannello nel periodo invernale, quando l’energia disponibile è minore che nell’estate, occorre orientare il pannello con un’inclinazione tale da ricevere i raggi del sole perpendicolari (frontali) alla sua superficie sensibile.

Questa inclinazione corrisponde alla **latitudine del luogo** e può essere rilevata in qualsiasi cartina geografica: ad esempio, Madrid ha latitudine di 40°; Venezia di 45°; Londra di circa 50° ecc. Per maggiore chiarezza, fare riferimento alla **fig. 5**.

PASSO 3 – Fissaggio del pannello fotovoltaico nel punto prescelto

Dopo aver stabilito con esattezza la posizione del pannello, procedere a fissarlo sulla superficie prescelta, come mostrato in **fig. 6**.

PASSO 4 – Fissaggio dell’accumulatore nel punto prescelto

Dopo aver effettuato le verifiche riportate nel capitolo 3 e stabilito con esattezza la posizione dell’accumulatore, procedere a fissarlo sulla superficie prescelta, come mostrato in **fig. 13**. **Nota** – usare le 2 viti posizionate in basso solo se si desidera ancorare l’accumulatore in modo fisso e non asportabile.

PASSO 5 – Passaggio dei cavi

IMPORTANTE! – I cavi in dotazione devono essere utilizzati in ambienti interni e protetti. Per poterli utilizzare all’esterno è necessario proteggere i cavi con adeguati condotti di protezione.

Dopo aver fissato il pannello e l’accumulatore, passare il cavo del

pannello attraverso il tubo o la canalina di protezione, portandolo fino all’accumulatore.

Facendo riferimento al manuale istruzioni dell’automatismo da alimentare, rimuovere il coperchio di protezione della Centrale di comando. Quindi, passare attraverso l’automatismo (dove passano gli altri cavi) l’estremità del cavo di alimentazione con i fili spelati, e farlo uscire dall’automatismo. Infine, passare il cavo attraverso l’eventuale canalina di protezione portandolo fino all’accumulatore.

Attenzione! – Non collegare il cavo di alimentazione alla Centrale; lasciare aperto l’accesso alla Centrale.

PASSO 6 – Assemblaggio della presa “a pipetta” sul cavo del pannello fotovoltaico

Se il cavo è eccessivamente lungo, si può accorciare facendo attenzione a spelare i fili in modo che la loro lunghezza risulti uguale a quelle riportate nella **fig. 20** (**attenzione!** – lunghezze diverse pregiudicano il successivo assemblaggio della presa).

Quindi, procedere ad assemblare la presa “a pipetta” in **colore GRIGIO** all’estremità del cavo del pannello, nel modo seguente:

01. Infilare sul cavo i vari elementi che compongono la presa, rispettando l’ordine mostrato in **fig. 7**;

ATTENZIONE! – Non modificare il ponticello elettrico presente sul connettore (**fig. 8**).

02. Utilizzando un cacciavite a taglio, fissare sul connettore il **filo Blu al morsetto n° 1** e il **filo Marrone al morsetto della presa a terra (4)** (**fig. 9**):

Nota – I numeri e i simboli di riferimento sono stampati sul connettore, in basso rispetto ai morsetti e sulla faccia opposta.

03. Dopo aver fissato i due fili, procedere ad inserire il connettore nella sua protezione (**fig. 10**).

Importante – La posizione corretta del connettore è quella con il simbolo della presa a terra posizionato verso il basso (vedere la **fig. 10**);

04. Quindi, tirare il cavo verso l’esterno della presa e inserire in questa la guarnizione e la rondella (**fig. 11-a-b**). Infine, avvitare il pressacavo (**fig. 11-c**) usando una chiave, in modo da ottenere una chiusura completamente ermetica.

05. Dopo aver assemblato la presa, posizionare sul lato di connessione di quest’ultima la guarnizione in dotazione (**fig. 12**).

PASSO 7 – Assemblaggio della presa “a pipetta” sul cavo di alimentazione

Se il cavo è eccessivamente lungo, si può accorciare facendo attenzione a spelare i fili in modo che la loro lunghezza risulti uguale a quelle riportate nella **fig. 20** (**attenzione!** – lunghezze diverse pregiudicano il successivo assemblaggio della presa).

Quindi, procedere ad assemblare la presa “a pipetta” in **colore NERO** all’estremità del cavo di alimentazione, nel modo seguente:

01. Infilare sul cavo i vari elementi che compongono la presa, rispettando l’ordine mostrato in **fig. 7**;

ATTENZIONE! – Non modificare il ponticello elettrico presente sul connettore (**fig. 8**).

02. Utilizzando un cacciavite a taglio, fissare sul connettore il **filo Blu al morsetto n° 1** e il **filo Marrone al morsetto della presa a terra (4)** (**fig. 9**):

Nota – I numeri e i simboli di riferimento sono stampati sul connettore, in basso rispetto ai morsetti e sulla faccia opposta.

03. Dopo aver fissato i due fili, procedere ad inserire il connettore nella sua protezione (**fig. 10**).

Importante – La posizione corretta del connettore è quella con il simbolo della presa a terra posizionato verso il basso (vedere la **fig. 10**);

04. Quindi, tirare il cavo verso l’esterno della presa e inserire in questa la guarnizione e la rondella (**fig. 11-a-b**). Infine, avvitare il pressacavo (**fig. 11-c**) usando una chiave, in modo da ottenere una chiusura completamente ermetica.

05. Dopo aver assemblato la presa, posizionare sul lato di connessione di quest'ultima la guarnizione in dotazione (fig. 12).

PASSO 8 – Collegamento del pannello fotovoltaico all'accumulatore

Per collegare il pannello all'accumulatore, procedere nel modo seguente:

- 01.** Connettere la presa "a pipetta" in **colore GRIGIO** alla presa "IN" sull'accumulatore (fig. 14);
- 02.** Fissare la presa con la vite di sicurezza in dotazione, facendo riferimento alla fig. 15. *Nota – Se si prevede di scollegare spesso la presa dall'accumulatore, utilizzare la vite di fig. 16-a. In caso contrario, utilizzare la vite di fig. 16-b.*

Attenzione! - Quando l'accumulatore si sta ricaricando attraverso il pannello fotovoltaico, il Led rosso emette 2 brevi lampeggi ogni 5 secondi. Quindi, verificare che questa segnalazione sia presente quando il pannello è illuminato dal sole.

PASSO 9 – Collegamento dell'accumulatore all'automatismo

Per collegare l'accumulatore all'automatismo, procedere nel modo seguente:

- 01.** Connettere la presa "a pipetta" in **colore NERO** alla presa "OUT" sull'accumulatore (fig. 17);
- 02.** Fissare la presa con la vite di sicurezza in dotazione, facendo riferimento alla fig. 18. *Nota – Se si prevede di scollegare spesso la presa dall'accumulatore, utilizzare la vite di fig. 16-a. In caso contrario, utilizzare la vite di fig. 16-b.*
- 03.** Accedere alla Centrale di comando dell'automatismo ed inserire il connettore del cavo di alimentazione nella presa della batteria tampone presente sulla Centrale. *Per individuare questa presa, fare riferimento al manuale istruzioni dell'automatismo da alimentare.*

Attenzione! - quando l'automazione viene alimentata con PF, questa non può e **NON DEVE ESSERE ALIMENTATA** contemporaneamente anche dalla rete elettrica.

— Nota generale —

IMPORTANTE – Dopo aver collegato il prodotto all'automatismo, l'impianto potrebbe non essere subito operativo; questo dipende dal fatto che l'accumulatore potrebbe essere scarico a causa del normale processo di autoscarica che avviene nel tempo, anche quando il prodotto è a magazzino. In questo caso è possibile procedere in due modi:

- A)** Scollegare l'accumulatore dalla Centrale di comando dell'automazione e attendere qualche giorno affinché il pannello fotovoltaico riceva sufficiente luce solare per ricaricare l'accumulatore;
- B)** Procedere ad eseguire una ricarica veloce e completa dell'accumulatore utilizzando l'alimentatore di emergenza mod. PBC (accessorio opzionale).

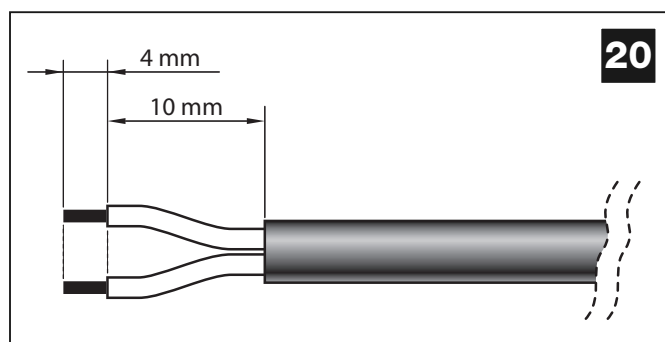
— Segnalazioni luminose e acustiche —

Il PF dispone di un Led e di un buzzer.

- Quando l'accumulatore è in ricarica (dal pannello fotovoltaico o dal carica batteria), il Led rosso emette 2 brevi lampeggi ogni 5 secondi. Verificare che questa segnalazione sia presente anche dopo l'installazione, quando il pannello è illuminato dal sole.
- Quando l'accumulatore ha terminato la ricarica dal carica batteria, il Led rimane acceso fisso.
- Quando l'accumulatore è scarico, il Led rosso emette 1 breve lampeggio ogni 5 secondi, accompagnato da un beep acustico.

— Note per l'uso —

- **Non lasciare MAI collegato l'accumulatore all'automatismo se non è anche collegato, e correttamente funzionante, il pannello fotovoltaico.**
Attenzione! - Se l'accumulatore non è adeguatamente ricaricato, esaurisce la sua riserva entro pochi giorni.
- Se l'automazione non viene usata per lunghi periodi, si consiglia di scollegare i connettori dell'automatismo e del pannello fotovoltaico dall'accumulatore e di custodire questo in un luogo fresco e asciutto.



COSA FARE SE... (guida alla risoluzione dei problemi)

• **La Centrale di comando dell'automatismo non si accende e il Led non da nessuna segnalazione.**

Questo potrebbe dipendere dai collegamenti non corretti o dai fili elettrici non perfettamente inseriti. Oppure potrebbe essere l'accumulatore completamente scarico, per cui non in grado di dare alcuna segnalazione: in questo caso è necessario operare una ricarica rapida usando l'alimentatore (mod. PBC) o attendere che il pannello fotovoltaico, correttamente collegato, cominci a ricaricare l'accumulatore.

• **L'accumulatore tende a scaricarsi troppo velocemente.**

Questo potrebbe dipendere da un invecchiamento eccessivo dell'accumulatore per cui sarebbe opportuno sostituire la batteria interna; oppure la causa potrebbe essere un uso troppo intensivo dell'au-

tomazione, oltre i limiti d'impiego previsti in questo manuale, nel capitolo 3.

Inoltre, potrebbe trattarsi anche di un automatismo non previsto per l'uso con PF, oppure non correttamente configurato per il basso consumo o, ancora, con troppi accessori collegati.

• **L'accumulatore non si ricarica.**

Questo potrebbe dipendere da un malfunzionamento del pannello fotovoltaico a causa di una sua errata installazione; o da un collegamento errato dei cavi; o da un malfunzionamento dell'accumulatore.

INTERVENTI DI MANUTENZIONE PERIODICA

In generale, il presente prodotto non necessita di manutenzioni particolari; tuttavia, un controllo regolare nel tempo consente di mantenere in efficienza l'impianto.

Quindi, per effettuare una manutenzione corretta, verificare ogni 6 mesi che il pannello fotovoltaico non abbia accumulato sporcizia (foglie, sabbia, ecc.): questa potrebbe diminuire l'efficienza.

Inoltre, è necessario verificare se è il caso di sostituire l'accumulatore che, per effetto dell'invecchiamento, potrebbe ridurre nel tempo la sua autonomia.

Occorre tenere presente che la longevità dell'accumulatore è influenzata soprattutto dalle alte temperature estive che accelerano l'invecchiamento delle parti. Normalmente la vita media dell'accumulatore è di circa 4-5 anni; questa dipende anche dall'intensità con la quale si usa l'automazione: l'ideale è non lasciare che l'accumulatore si

scarichi eccessivamente a causa di cicli di manovre ravvicinati e prolungati nel tempo.

ATTENZIONE – L'eventuale sostituzione dell'accumulatore deve essere eseguita esclusivamente da personale qualificato ed esperto.

SMALTIMENTO

Smaltimento del prodotto

Questo prodotto è parte integrante dell'automazione, e dunque, deve essere smaltito insieme con essa.

Come per le operazioni d'installazione, anche al termine della vita di questo prodotto, le operazioni di smantellamento devono essere eseguite da personale qualificato.

Questo prodotto è costituito da vari tipi di materiali: alcuni possono essere riciclati, altri devono essere smaltiti. Informatevi sui sistemi di riciclaggio o smaltimento previsti dai regolamenti vigenti sul vostro territorio, per questa categoria di prodotto.

Attenzione! – alcune parti del prodotto possono contenere sostanze inquinanti o pericolose che, se disperse nell'ambiente, potrebbero provocare effetti dannosi sull'ambiente stesso e sulla salute umana.

Come indicato dal simbolo a lato, è vietato gettare questo prodotto nei rifiuti domestici. Eseguire quindi la "raccolta separata" per lo smaltimento, secondo i metodi previsti dai regolamenti vigenti sul vostro territorio, oppure riconsegnare il prodotto al venditore nel momento dell'acquisto di un nuovo prodotto equivalente.



Inoltre, il prodotto contiene un accumulatore al piombo, cioè un elemento estremamente inquinante se non smaltito opportunamente. L'accumulatore deve essere rimosso e smaltito come spiegato al paragrafo "Smaltimento dell'accumulatore".

Attenzione! – i regolamenti vigenti a livello locale possono prevedere pesanti sanzioni in caso di smaltimento abusivo di questo prodotto.

Smaltimento dell'accumulatore

Attenzione! – L'accumulatore contiene sostanze inquinanti e quindi, non deve essere buttato nei rifiuti comuni dopo averlo rimosso. Occorre smaltirlo o riciclarlo utilizzando i metodi previsti dalle normative vigenti nel vostro territorio.

CARATTERISTICHE TECNICHE DEI VARI COMPONENTI DEL PRODOTTO

AVVERTENZE: • Il prodotto PF è prodotto da Nice S.p.a. (TV) I. **Mhouse** è un marchio di Nice S.p.a. • Tutte le caratteristiche tecniche riportate, sono riferite ad una temperatura ambientale di 20°C (± 5°C) • Nice S.p.a. si riserva il diritto di apportare modifiche al prodotto in qualsiasi momento lo riterrà necessario, mantenendone comunque la stessa funzionalità e destinazione d'uso • La stima del numero minimo di cicli al giorno, indicata nel capitolo 3 alla voce "Limiti d'impiego", è valida esclusivamente con il pannello fotovoltaico correttamente orientato e nel rispetto di tutte le condizioni indicate.

ACCUMULATORE PB

DESCRIZIONE	DATI
Tensione nominale:	24 V ---
Corrente massima:	10 A
Capacità nominale della batteria:	20 Ah
Grado di protezione:	IP 44
Temperatura d'impiego:	da -20°C a +50°C (quando è in carica con l'utilizzo dell'alimentatore di emergenza: da 0°C a +40°C)
Tempo di ricarica completa:	15 ore circa (con l'utilizzo dell'alimentatore di emergenza)
Dimensioni:	258 mm x 235 mm x 180 mm
Peso:	14 kg

Nota – Gli accumulatori utilizzati su PB sono del tipo VRLA, "Valve Regulated Lead Acid Batteries" cioè ermetici regolati da valvola, e sono conformi alla specifica disposizione A67 del Regolamento IATA/ICAAO per le merci pericolose. PB e PF non sono quindi da considerarsi merce pericolosa e possono essere trasportati senza alcun rischio per via aerea, via mare e su strada.

PANNELLO FOTOVOLTAICO PC

DESCRIZIONE	DATI
Tensione nominale:	24 V ---
Potenza massima:	10 W
Temperatura d'impiego:	da -40°C a +85°C
Dimensioni:	354 mm x 290 mm x 28 mm
Peso:	1,4 Kg

Avvertenza – Il vetro del pannello fotovoltaico è testato per resistere alla grandine e a urti di media entità (resiste all'impatto di una sfera di acciaio da 227 gr., che cade da 1 mt. di altezza). In caso di grandine o urti particolarmente consistenti, il vetro potrebbe danneggiarsi; in questi casi rivolgersi al Servizio Assistenza Tecnica Mhouse.

DICHIARAZIONE DI CONFORMITÀ CE

Nota - Il contenuto di questa dichiarazione corrisponde a quanto dichiarato nell'ultima revisione disponibile, prima della stampa di questo manuale, del documento ufficiale depositato presso la sede di Nice Spa. Il presente testo è stato riadattato per motivi editoriali.

PF è prodotto da NICE S.p.a. (TV) I; Mhouse è un marchio commerciale di proprietà di Nice S.p.a.

Numero: 304/PF **Revisione:** 0

Il sottoscritto Luigi Paro in qualità di Amministratore Delegato, dichiara sotto la propria responsabilità che il prodotto:

Nome produttore: NICE s.p.a.

Indirizzo: Via Pezza Alta 13, Z.I. Rustignè, 31046 Oderzo (TV) Italia

Tipo: Kit solare Mhouse

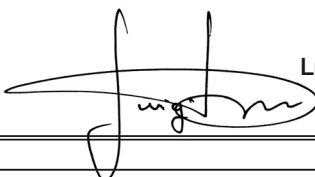
Modelli: PF

Accessori: PBC

risulta conforme a quanto previsto dalle seguenti direttive comunitarie:

- 2006/95/CEE (ex direttiva 73/23/CE) DIRETTIVA 2006/95/CE DEL PARLAMENTO EUROPEO E DEL CONSIGLIO del 12 dicembre 2006 concernente il ravvicinamento delle legislazioni degli Stati membri relative al materiale elettrico destinato ad essere adoperato entro taluni limiti di tensione, secondo la seguente norma armonizzata:
EN 60335-1:2002 + A1:2004 + A11:2004 + A12:2006 + A2:2006
- 2004/108/CEE (ex direttiva 89/336/CEE) DIRETTIVA 2004/108/CE DEL PARLAMENTO EUROPEO E DEL CONSIGLIO del 15 dicembre 2004 concernente il ravvicinamento delle legislazioni degli Stati membri relative alla compatibilità elettromagnetica e che abroga la direttiva 89/336/CEE, secondo le seguenti norme armonizzate:
EN 61000-6-2:2005; EN 61000-6-3:2007

Oderzo, 11 marzo 2009



Luigi Paro (Amministratore Delegato)

AVERTISSEMENTS ET PRÉCAUTIONS GÉNÉRALES POUR LA SÉCURITÉ

La conception, la fabrication des dispositifs qui composent le produit et les informations contenues dans ce guide respectent pleinement les normes en vigueur en matière de sécurité. Toutefois, une installation incorrecte peut causer de graves blessures aux personnes qui effectuent le travail et à celles qui utiliseront l'installation. Pour cette raison, au cours de l'installation, il est important de suivre attentivement toutes les instructions figurant dans ce guide.

Ne pas effectuer l'installation si le moindre doute persiste et demander les éclaircissements nécessaires au Service après-vente Mhouse.

OPÉRER EN CONDITIONS DE SÉCURITÉ !

Attention – pour la sécurité des personnes, il est important de respecter ces instructions.

Attention – Instructions importantes pour la sécurité, conserver par conséquent ces instructions pour faciliter les éventuelles interventions futures de maintenance ou de mise au rebut du produit.

Respecter les consignes suivantes :

– effectuer exclusivement les connexions électriques prévues dans ce guide : une exécution erronée des connexions pourrait causer de graves dommages au système.

– Les câbles fournis doivent être utilisés dans des milieux internes et protégés. Pour pouvoir les utiliser à l'extérieur, il faut protéger les câbles avec des gaines spécifiques.

– ne pas toucher avec des objets métalliques les contacts des connecteurs présents sur l'accumulateur.

Compte tenu des situations de risque qui peuvent se vérifier durant les phases d'installation et d'utilisation du produit, il faut installer les dispositifs présents dans l'emballage en respectant les recommandations qui suivent :

– ne pas effectuer de modifications sur des parties du dispositif quelles qu'elles soient, en dehors de celles qui sont décrites dans ce guide. Des opérations non autorisées ne peuvent que provoquer des problèmes de fonctionnement. Le constructeur décline toute responsabilité pour les dommages dérivant de produits modifiés arbitrairement.

– ne pas mettre les dispositifs à proximité de fortes sources de chaleur ni les exposer à des flammes vives ; Ces actions peuvent les endommager et causer des problèmes de fonctionnement, un incendie ou des situations de danger.

– éviter que les dispositifs puissent être immergés dans l'eau ou dans d'autres substances liquides. Durant l'installation éviter que les liquides puissent pénétrer à l'intérieur des dispositifs.

– les matériaux de l'emballage du produit doivent être mis au rebut dans le plein respect des normes locales en vigueur.

CONNAISSANCE DU PRODUIT ET PRÉPARATION À L'INSTALLATION

CHAPITRE 1 – DESCRIPTION ET APPLICATION

PF est un système d'alimentation à énergie solaire destiné aux automatismes Mhouse pour portails, portes de garage, stores et produits similaires (fig. 1).

Toute autre utilisation doit être considérée comme impropre ! Le constructeur ne répond pas des dommages résultant d'une utilisation impropre du produit, différente de ce qui est prévu dans cette notice.

Ce système exploite exclusivement l'énergie solaire pour alimenter un automatisme, sans branchement au secteur électrique.

Il est en mesure de fournir de l'énergie électrique de manière continue et permanente et peut être utilisé n'importe où (par exemple, pour automatiser un portail situé loin de l'arrivée du courant).

Le système est composé d'un panneau photovoltaïque et d'un accumulateur d'énergie électrique :

– le **panneau photovoltaïque** est un dispositif en mesure de convertir l'énergie solaire directement en énergie électrique.

– l'**accumulateur** est un dispositif qui stocke l'énergie électrique produite par le panneau photovoltaïque durant les heures de soleil et la rend disponible à toute heure du jour, y compris par temps couvert. Une led sur la partie frontale et un avertisseur sonore interne signalent les différents états de charge ou décharge de la batterie interne.

Quatre trous se trouvant sur la partie arrière de l'accumulateur servent à le fixer sur un mur. Il est possible d'obtenir une fixation permanente ou une fixation avec crochets qui permettent d'enlever et de transporter l'accumulateur. Pour faciliter cette dernière opération l'accumulateur est muni d'une poignée et de deux connecteurs détachables, pour pouvoir déconnecter rapidement le panneau et l'automatisme.

CHAPITRE 2 – COMPOSANTS POUR RÉALISER UN SYSTÈME D'ALIMENTATION COMPLET

La fig. 2 montre tous les composants nécessaires pour réaliser un système d'alimentation complet. Les composants sont :

- a) Panneau photovoltaïque mod. PC ;
- b) Patte pour la fixation du panneau photovoltaïque ;
- c) Petites pièces métalliques (vis, rondelles, etc.) ;
- d) Accumulateur d'énergie électrique mod. PB ;
- e) Câble d'alimentation pour la connexion entre l'accumulateur et un automatisme ;
- f) Connecteurs soudés ;
- g) Vis pour la fixation de la fiche femelle soudée.

• Accessoires en option (non présents dans l'emballage)

PF permet l'autonomie énergétique totale de l'installation uniquement s'il est utilisé dans le respect des limites indiquées dans le chapitre 3.

Si ces limites sont dépassées, par exemple à cause d'un usage intensif de l'automatisme, l'énergie accumulée peut s'épuiser.

Dans ces cas-là, un bloc d'alimentation, modèle PBC, est disponible, qu'il faut connecter provisoirement au secteur pour recharger rapidement l'accumulateur.

CHAPITRE 3 – VÉRIFICATIONS AVANT L'INSTALLATION ET LIMITES D'UTILISATION DU PRODUIT

Pour s'assurer que PF est compatible avec l'automatisme à alimenter il faut effectuer les contrôles décrits dans ce chapitre.

Contrôler également dans le chapitre « Caractéristiques techniques du produit » si les données techniques de PF sont adaptées à l'utilisation prévues et vérifier dans le guide d'instructions de l'automatisme (ou dans les addenda) si son fonctionnement est prévu avec PF. **Attention !** - La seule présence d'un connecteur pour l'alimentation à batteries n'est pas indice de compatibilité. Les produits compatibles avec PF ont été expressément conçus pour réduire à l'essentiel la consommation d'énergie quand l'automatisme est à l'arrêt, tandis qu'un produit non optimisé, même s'il consomme peu, risque d'épuiser, même à l'arrêt, une grande partie de l'énergie produite par le panneau du PF.

Identifier, près de l'automatisme à alimenter, le point le plus adapté pour installer le panneau photovoltaïque et l'accumulateur, en tenant compte des conditions suivantes :

- a) les limites d'utilisation décrites dans ce chapitre ;
- b) la longueur du câble d'alimentation (3 m) et de celui du panneau photovoltaïque (3 m) ;
- c) l'espace disponible près de l'automatisme à alimenter.

De plus, effectuer les vérifications suivantes :

- d) vérifier que les surfaces choisies pour fixer les deux dispositifs sont solides et peuvent garantir une fixation stable.
- e) Vérifier que chaque dispositif à installer se trouve dans une position protégée, à l'abri des chocs accidentels.
- f) En particulier, pour chaque dispositif, vérifier ce qui suit :

Panneau photovoltaïque

Vérifier que l'endroit choisi pour l'installation du panneau peut garantir 100% d'ensoleillement direct (plein soleil), tout au long de l'année. En particulier, installer le panneau loin de la végétation, des murs ou d'autres situations qui peuvent créer des zones d'ombre, même partielle, sur sa surface. **Attention ! – la surface sensible doit être exposée aux rayons solaires de manière directe et en tout point ; une ombre partielle, même si de petites dimensions (due, par exemple, à une feuille ou autre), réduit sensiblement la capacité énergétique du panneau.**

Contrôler également qu'après l'installation il est possible d'**orienter** et d'**incliner** correctement le panneau, suivant les instructions indiquées dans le chapitre 5.

Accumulateur

Pour assurer une efficacité optimale et une longue durée de l'accumulateur, il est préférable d'installer ce dernier à un endroit protégé contre les hautes températures estivales et les basses températures hivernales.

En effet, le **rendement de l'accumulateur** dépend de la température de l'environnement dans lequel il est installé ; l'efficacité est optimale autour de 20°C tandis qu'elle diminue à des températures en dessous de zéro.

Par contre, la **longévité de l'accumulateur** est influencée surtout par les hautes températures estivales (supérieures à 40°C) qui accélèrent le vieillissement des parties. Normalement la vie moyenne est d'environ 4-5 ans ; elle dépend aussi de l'intensité d'utilisation de l'automatisme. L'idéal est de ne pas laisser l'accumulateur se décharger excessivement à cause de manœuvres rapprochées et prolongées dans le temps.

• Limites d'application : nombre maximum possible de cycles par jour, à une période donnée de l'année.

PF permet l'autonomie énergétique totale de l'installation qu'il alimente, tant que l'énergie moyenne produite par le panneau photovoltaïque (qui à son tour est proportionnelle à celle fournie par le soleil) reste supérieure à celle qui est consommée par l'automatisme. À l'aide d'un simple calcul, il est possible d'estimer le nombre maximum de cycles par jour que l'automatisme peut exécuter à une période donnée de l'année, pour que ce bilan énergétique reste positif.

La première partie du calcul (l'**énergie disponible**) est traitée dans ce chapitre ; la deuxième partie du calcul (l'**énergie consommée**, c'est-à-dire le nombre maximum de cycles par jour) est traitée dans le chapitre correspondant, présent dans le guide de l'automatisme.

Attention ! - Tous les automatismes produits par Mhouse ne sont pas compatibles avec PF. Si le guide d'instructions de l'automatisme (ou les addenda) ne contient pas le chapitre pour le calcul des cycles maximums pouvant être obtenus avec l'énergie fournie par PF, cela signifie que l'automatisme n'est pas compatible.

Calculer l'énergie disponible à une période donnée de l'année

Pour calculer l'énergie disponible à une période donnée de l'année, procéder de la façon suivante (le calcul tient déjà compte de l'efficacité du panneau photovoltaïque et du rendement de l'accumulateur) :

- 01. La **fig. 19** montre la quantité moyenne d'énergie irradiée par le soleil sur la terre, en l'espace d'un an. Les 7 zones mises en

évidence indiquent que la quantité d'énergie est différente d'une zone à l'autre, du fait de certains facteurs comme la latitude, la présence ou pas de corps nuageux, etc.

— Ensuite, dans la **fig. 19** relever la valeur « **Ea** » de l'énergie moyenne annuelle disponible dans votre zone géographique ; relever également les degrés de la **latitude** à laquelle se trouve votre zone.

- 02. En plus de la valeur « **Ea** » relevée pour votre zone, il faut considérer également la variation de l'énergie, au cours des différentes périodes de l'année. En effet, suivant les saisons, la quantité d'énergie augmente ou diminue (voir les courbes des **graphiques AA** et **BB**) : dans les mois les plus ensoleillés (en été) il y a beaucoup plus d'énergie disponible que dans les mois d'hiver ; cette différence est moins évidente dans les zones vers l'équateur et plus accentuée dans les zones vers les pôles terrestres.

— Par conséquent, si l'on désire connaître le **nombre le plus bas** de cycles de manœuvres par jour, choisir dans le **graphique AA** (pour les zones au nord de l'équateur) ou dans le **graphique BB** (pour les zones au sud de l'équateur) la **courbe** correspondant à votre latitude et la **période** de l'année avec le rayonnement le plus faible (qui correspond au point le plus bas de la courbe). Croiser enfin les deux données, comme dans l'exemple à l'intérieur du graphique, pour obtenir la valeur « **Am** » (rayonnement correspondant à une période).

- 03. Calculer ensuite la valeur « **Ed** », c'est-à-dire l'énergie disponible dans votre zone pour cette période donnée de l'année en multipliant les données comme suit : **Ea x Am = Ed**.

- 04. Pour finir, pour obtenir le **nombre maximum possible de cycles par jour, pour la période choisie**, poursuivre le calcul en utilisant la donnée « **Ed** » trouvée (énergie disponible) et les instructions données dans le chapitre spécifique du guide de l'automatisme.

Avertissement - Si durant la journée le panneau photovoltaïque reste dans l'ombre pendant une partie du temps (en particulier, de 10h00 à 14h00), l'énergie disponible diminue en fonction des heures manquantes d'exposition du panneau au soleil.

CHAPITRE 4 – ÉPUISEMENT DE LA CHARGE ÉLECTRIQUE DE L'ACCUMULATEUR

Au chapitre précédent, nous avons décrit comment calculer le nombre maximum possible de cycles par jour pour l'automatisme. Il s'agit d'une estimation sur la base de l'énergie disponible en moyenne sur une année. Si une longue période de mauvais temps devait se vérifier ou en cas d'exigences particulières nécessitant l'exécution d'un nombre de manœuvres supérieures à celles permises, l'énergie accumulée pourrait se révéler insuffisante.

Quand cela se vérifie, la led sur l'accumulateur signale l'état de batterie épuisée par 1 clignotement cyclique de la led (à intervalles d'environ 5 secondes) et des bips sonores synchronisés avec la led : cette signalisation peut être temporaire ou permanente. Dans les deux cas, il faut recharger l'accumulateur en procédant de l'une des façons suivantes :

A) effectuer une recharge rapide de l'accumulateur en utilisant le bloc d'alimentation mod. PBC, accessoire en option ;

B) limiter l'utilisation de l'automatisme en attendant que les conditions climatiques s'améliorent et permettent ainsi la recharge de l'accumulateur à travers le panneau photovoltaïque. Dans les deux cas, l'avis de « *charge épuisée* » cesse quand le système atteint une autonomie électrique suffisante pour faire fonctionner l'automatisme.

CHAPITRE 5

PHASE 1 – Assemblage de la patte de support du panneau photovoltaïque

Assembler tous les composants de la patte de support à l'arrière du panneau photovoltaïque, en procédant comme illustré **fig. 3**.

Attention ! - La patte au dos du panneau doit être placée (**fig. 3-b**) suivant le type de position dans laquelle sera fixé le panneau. Pour choisir cette position voir la **fig. 6**.

PHASE 2 – Positionnement du panneau photovoltaïque

Attention ! – Pour le bon fonctionnement du panneau il faut que celui-ci soit positionné avec beaucoup de précision à l'endroit choisi. Ensuite, après avoir effectué les vérifications indiquées au chapitre 3, suivre scrupuleusement les instructions ci-après : en ligne de principe, le panneau doit être positionné de manière à pouvoir recevoir le maximum de la lumière solaire dans l'espace de la journée et tout au long de l'année. Cela signifie que son orientation sur le plan horizontal et l'inclinaison sur le plan vertical doivent être calculées en fonction de l'endroit où le panneau est installé.

• **Définir l'orientation correcte du panneau sur le plan horizontal**, en procédant de la façon suivante :

a) Déterminer sur le lieu de l'installation, les points cardinaux du **NORD** et du **SUD**, en utilisant une boussole ou une carte géographique du lieu.

b) Orienter ensuite le panneau en direction **NORD** ou **SUD**, sur la base des considérations suivantes :

– si le lieu de l'installation se trouve **dans un pays au Nord de l'équateur** (États-Unis ; Europe ; Russie ; etc.) le panneau doit être orienté **exactement vers le SUD** ;

– si le lieu de l'installation se trouve **dans un pays au Sud de l'équateur** (Amérique latine ; Australie ; Indonésie ; etc.) le panneau doit être orienté **exactement vers le NORD** ;

Pour plus de précision, se référer à la **fig. 4**.

• **Définir l'orientation correcte du panneau sur le plan vertical**, en procédant de la façon suivante :

Considérant qu'il est préférable d'obtenir le rendement maximum du panneau dans la période hivernale, c'est-à-dire quand il y a moins d'énergie disponible qu'en été, il faut orienter le panneau avec une inclinaison telle qu'il reçoit les rayons du soleil perpendiculairement à sa surface sensible (incidence frontale).

Cette inclinaison correspond à la **latitude du lieu** et peut être relevée sur n'importe quelle carte géographique : par exemple, Madrid a une latitude de 40°; Venise de 45°; Londres d'environ 50° etc. Pour plus de précision, se référer à la **fig. 5**.

PHASE 3 – Fixation du panneau photovoltaïque à l'endroit choisi

Après avoir établi avec exactitude la position du panneau, le fixer sur la surface choisie, comme illustré **fig. 6**.

PHASE 4 – Fixation de l'accumulateur à l'endroit choisi

Après avoir effectué les vérifications indiquées dans le chapitre 3 et établi avec exactitude la position de l'accumulateur, le fixer sur la surface choisie, comme illustré **fig. 13**. **Note** – utiliser les 2 vis du bas seulement si l'on souhaite ancrer l'accumulateur de manière fixe et non amovible.

PHASE 5 – Passage des câbles

IMPORTANT ! – Les câbles fournis doivent être utilisés dans des milieux internes et protégés. Pour pouvoir les utiliser à l'extérieur, il faut protéger les câbles avec des gaines spécifiques.

Après avoir fixé le panneau et l'accumulateur, passer le câble du

panneau à travers la gaine ou le conduit de protection, en le portant jusqu'à l'accumulateur.

En se référant au guide d'instructions de l'automatisme à alimenter, enlever le couvercle de protection de la logique de commande. Passer ensuite à travers l'automatisme (où passent les autres câbles) l'extrémité du câble d'alimentation avec les fils dénudés et le faire sortir le câble de l'automatisme. Passer ensuite le câble à travers l'éventuel conduit de protection en le portant jusqu'à l'accumulateur.

Attention ! – Ne pas connecter le câble d'alimentation à la logique ; laisser ouvert l'accès à la logique de commande.

PHASE 6 – Assemblage de la fiche femelle coudée sur le câble du panneau photovoltaïque

Si le câble est trop long, on peut le raccourcir en faisant attention à dénuder les fils de manière que leur longueur résulte **identique** à celles qui sont indiquées dans la **fig. 20** (**attention !** – des longueurs différentes compromettent l'assemblage successif de la fiche).

Monter ensuite la fiche femelle coudée de **couleur GRISE** à l'extrémité du câble du panneau, de la façon suivante :

01. Enfiler sur le câble les différents éléments qui composent la fiche, en respectant l'ordre indiqué **fig. 7** ;

ATTENTION ! – Ne pas modifier le cavalier électrique présent sur le connecteur (**fig. 8**).

02. En utilisant un tournevis à fente, fixer le conducteur **bleu** à la borne n° 1 et le conducteur **marron** à la borne de la prise de terre du connecteur (**4**) (**fig. 9**) :

Note – Les numéros et les symboles de référence sont imprimés sur le connecteur, en bas par rapport aux bornes et sur la face opposée.

03. Après avoir fixé les deux conducteurs, insérer le connecteur dans sa protection (**fig. 10**).

Important – La position correcte du connecteur est celle avec le symbole de la prise de terre vers le bas (voir la **fig. 10**) ;

04. Ensuite, tirer le câble vers l'extérieur de la fiche et insérer dans celle-ci la rondelle et le joint (**fig. 11-a-b**). Enfin, visser le presse-étoupe (**fig. 11-c**) à l'aide d'une clé, de façon à obtenir une fermeture complètement hermétique.

05. Après avoir assemblé la fiche femelle, positionner le joint fourni sur la face de connexion de la fiche (**fig. 12**).

PHASE 7 – Montage de la fiche femelle coudée sur le câble d'alimentation

Si le câble est trop long, on peut le raccourcir en faisant attention à dénuder les fils de manière que leur longueur résulte **identique** à celles qui sont indiquées dans la **fig. 20** (**attention !** – des longueurs différentes compromettent l'assemblage successif de la fiche).

Monter ensuite la fiche femelle coudée de **couleur NOIRE** à l'extrémité du câble d'alimentation, de la façon suivante :

01. Enfiler sur le câble les différents éléments qui composent la fiche, en respectant l'ordre indiqué **fig. 7** ;

ATTENTION ! – Ne pas modifier le cavalier électrique présent sur le connecteur (**fig. 8**).

02. En utilisant un tournevis à fente, fixer le conducteur **bleu** à la borne n° 1 et le conducteur **marron** à la borne de la prise de terre du connecteur (**4**) (**fig. 9**) :

Note – Les numéros et les symboles de référence sont imprimés sur le connecteur, en bas par rapport aux bornes et sur la face opposée.

03. Après avoir fixé les deux conducteurs, insérer le connecteur dans sa protection (**fig. 10**).

Important – La position correcte du connecteur est celle avec le symbole de la prise de terre vers le bas (voir la **fig. 10**) ;

04. Ensuite, tirer le câble vers l'extérieur de la fiche et insérer dans

celle-ci la rondelle et le joint (fig. 11-a-b). Enfin, visser le presse-étoupe (fig. 11-c) à l'aide d'une clé, de façon à obtenir une fermeture complètement hermétique.

05. Après avoir assemblé la fiche femelle, positionner le joint fourni sur la face de connexion de la fiche (fig. 12).

PHASE 8 – Connexion du panneau photovoltaïque à l'accumulateur

Pour connecter le panneau à l'accumulateur, procéder de la façon suivante :

01. Connecter la fiche femelle coudée de **couleur GRISE** à la prise « IN » sur l'accumulateur (fig. 14) ;
02. Fixer la fiche avec la vis de sécurité fournie en se référant à la fig. 15. **Note** - Si l'on prévoit de déconnecter souvent la fiche de l'accumulateur, utiliser la vis de la fig. 16-a. Sinon, utiliser la vis de la fig. 16-b.

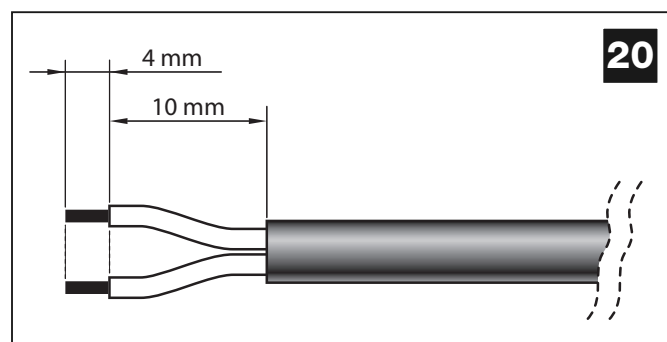
Attention ! - Quand l'accumulateur est en train de se recharger à travers le panneau photovoltaïque, la led rouge émet 2 clignotements brefs toutes les 5 secondes. Vérifier par conséquent que cette signalisation est présente quand le panneau est éclairé par le soleil.

PHASE 9 – Connexion de l'accumulateur à l'automatisme

Pour connecter l'accumulateur à l'automatisme, procéder de la façon suivante :

01. Connecter la fiche femelle coudée de **couleur NOIRE** à la prise « OUT » sur l'accumulateur (fig. 17) ;
02. Fixer la fiche avec la vis de sécurité fournie en se référant à la fig. 18. **Note** - Si l'on prévoit de déconnecter souvent la fiche de l'accumulateur, utiliser la vis de la fig. 16-a. Sinon, utiliser la vis de la fig. 16-b.
03. Accéder à la logique de commande de l'automatisme et brancher le connecteur du câble d'alimentation dans la prise de la batterie tampon présente sur la logique. *Pour identifier cette prise, se référer au guide d'instructions de l'automatisme à alimenter.*

Attention ! - Quand l'automatisme est alimenté par le système PF, il ne peut pas et NE DOIT PAS ÊTRE ALIMENTÉ simultanément aussi par le secteur électrique.



— Note générale —

IMPORTANT – Après avoir connecté le produit à l'automatisme, l'installation pourrait ne pas être immédiatement opérationnelle ; cela dépend du fait que l'accumulateur pourrait être complètement épuisé à cause du processus normal d'autodécharge qui se vérifie avec le temps, y compris quand le produit est stocké. Dans ce cas on peut procéder de deux façons différentes :

A) Déconnecter l'accumulateur de la logique de commande de l'automatisme et attendre quelques jours que le panneau photovoltaïque reçoive suffisamment de lumière solaire pour recharger l'accumulateur ;

B) Effectuer une recharge rapide et complète de l'accumulateur en utilisant le bloc d'alimentation de secours mod. PBC (accessoire en option).

— Signalisations lumineuses et acoustiques —

Le PF dispose d'une led et d'un avertisseur.

- Quand l'accumulateur est en recharge (par le panneau photovoltaïque ou par le chargeur de batterie), la led rouge émet 2 clignotements brefs toutes les 5 secondes. Vérifier que cette signalisation est présente aussi après l'installation, quand le panneau est éclairé par le soleil.
- Quand l'accumulateur a terminé la recharge par le chargeur de batterie, la led reste allumée fixe.
- Quand l'accumulateur est déchargé, la led rouge émet 1 clignotement bref toutes les 5 secondes, accompagné d'un bip sonore.

— Notes pour l'utilisation —

- **Ne JAMAIS laisser l'accumulateur connecté à l'automatisme si le panneau photovoltaïque n'est pas lui-même connecté et en parfait état de fonctionnement.** Attention ! - Si l'accumulateur n'est pas correctement rechargé, il épuise sa réserve en quelques jours.
- Si l'automatisme n'est pas utilisé pendant de longues périodes, il est conseillé de débrancher les connecteurs de l'automatisme et du panneau photovoltaïque de l'accumulateur et de remiser l'accumulateur dans un endroit frais et sec.

QUE FAIRE SI... (Guide à la résolution des problèmes)

• La Logique de commande de l'automatisme ne s'allume pas et la led ne donne aucun signal.

Cela pourrait dépendre de connexions erronées ou des fils électriques mal connectés. Ou bien l'accumulateur pourrait être complètement épuisé et donc incapable de donner la moindre signalisation : il faut effectuer dans ce cas une recharge rapide en utilisant le bloc d'alimentation (mod. PBC) ou attendre que le panneau photovoltaïque, correctement connecté, commence à recharger l'accumulateur.

• L'accumulateur a tendance à se décharger trop rapidement.

Cela pourrait dépendre d'un vieillissement excessif de l'accumulateur et il serait bon de remplacer la batterie interne ; ou bien la cause pourrait être une utilisation trop intensive de l'automatisme, au-delà des limites d'emploi prévues dans ce manuel, dans le chapitre 3.

D'autre part, il se pourrait également que l'automatisme n'est pas prévu pour être utilisé avec PF, ou qu'il n'est pas correctement configuré pour les basses consommations ou, encore, qu'il y a trop d'accessoires connectés.

• L'accumulateur ne se recharge pas.

Cela pourrait dépendre d'un mauvais fonctionnement du panneau photovoltaïque due à une installation incorrecte ; ou à une erreur de connexion des câbles ; ou à un mauvais fonctionnement de l'accumulateur.

INTERVENTIONS DE MAINTENANCE PÉRIODIQUE

En général, le présent produit n'a pas besoin d'être soumis à une maintenance particulière ; toutefois, un contrôle régulier dans le temps permet de garantir le bon fonctionnement de l'installation.

Par conséquent, pour effectuer une maintenance correcte, vérifier tous les 6 mois que le panneau photovoltaïque n'a pas accumulé de saletés (feuilles, sable, etc.) : cela pourrait en diminuer l'efficacité.

Par ailleurs, il faut vérifier s'il est nécessaire de remplacer l'accumulateur, qui par effet du vieillissement pourrait réduire son autonomie dans le temps.

Il faut tenir compte du fait que la longévité de l'accumulateur est influencée surtout par les hautes températures estivales qui accélèrent le vieillissement des parties. Normalement la vie moyenne de l'accumulateur est d'environ 4-5 ans ; elle dépend aussi de l'intensité d'utilisation de l'automatisme : l'idéal est de ne pas laisser l'ac-

cumulateur se décharger excessivement à cause de cycles de manœuvres rapprochés et prolongés dans le temps.

ATTENTION – Le remplacement éventuel de l'accumulateur doit être effectué exclusivement par du personnel qualifié et expérimenté.

MISE AU REBUT

Mise au rebut du produit

Ce produit est partie intégrante de l'automatisme et doit donc être mis au rebut avec ce dernier.

Comme pour l'installation, à la fin de la durée de vie de ce produit, les opérations de démantèlement doivent être effectuées par du personnel qualifié.

Ce produit est constitué de différents types de matériaux : certains peuvent être recyclés, d'autres doivent être mis au rebut. Informez-vous sur les systèmes de recyclage ou de mise au rebut prévus par les règlements, en vigueur dans votre pays, pour cette catégorie de produit.

Attention ! – certains composants du produit peuvent contenir des substances polluantes ou dangereuses qui pourraient avoir des effets nuisibles sur l'environnement et sur la santé des personnes s'ils étaient jetés dans la nature.

Comme l'indique le symbole ci-contre, il est interdit de jeter ce produit avec les ordures ménagères. Par conséquent, utiliser la méthode de la « collecte sélective » pour la mise au rebut des composants conformément aux prescriptions des normes en vigueur dans le pays d'utilisation ou restituer le produit au vendeur lors de l'achat d'un nouveau produit équivalent.



De plus, le produit contient un accumulateur au plomb, c'est-à-dire un élément extrêmement polluant s'il n'est pas correctement mis au rebut. L'accumulateur doit être retiré et mis au rebut conformément aux indications du paragraphe « Mise au rebut de l'accumulateur ».

Attention ! – les règlements locaux en vigueur peuvent appliquer de

lourdes sanctions en cas d'élimination illicite de ce produit.

Mise au rebut de l'accumulateur

Attention ! – L'accumulateur contient des substances polluantes et ne doit donc pas être jeté avec les ordures ménagères après l'avoir retiré de l'installation. Il faut le mettre au rebut ou le recycler en adoptant les méthodes prévues par les normes en vigueur dans votre territoire.

CARACTÉRISTIQUES TECHNIQUES DES DIFFÉRENTS COMPOSANTS DU PRODUIT

AVERTISSEMENTS : • Le produit PF est produit par NICE S.p.a. (TV) I. **Mhouse** est une marque de Nice S.p.a. • Toutes les caractéristiques techniques indiquées se réfèrent à une température ambiante de 20 °C (± 5 °C) • Nice S.p.a. se réserve le droit d'apporter des modifications au produit à tout moment si elle le jugera nécessaire, en garantissant dans tous les cas les mêmes fonctions et le même type d'utilisation prévu • Le nombre de cycles par jour estimé, indiqué au chapitre 3 au paragraphe « Limites d'application », est valable exclusivement avec le panneau photovoltaïque correctement orienté et dans le respect de toutes les conditions indiquées.

ACCUMULATEUR PB

DESCRIPTION	DONNÉES
Tension nominale :	24 V ---
Courant maximum :	10 A
Capacité nominale de la batterie :	20 Ah
Indice de protection :	IP 44
Température d'emploi :	de -20°C à +50°C (quand elle est en charge avec l'utilisation du bloc d'alimentation de secours : de 0°C à +40°C)
Temps de recharge complète :	15 heures environ (avec l'utilisation du bloc d'alimentation de secours)
Dimensions :	258 mm x 235 mm x 180 mm
Poids :	14 kg

Nota – Les accumulateurs utilisés sur PB sont du type VRLA, « Valve Regulated Lead Acid Batteries » c'est-à-dire étanches réglées par une soupape, et sont conformes à la disposition spécifique A67 du Règlement IATA/ICAO pour les marchandises dangereuses. Les produits PB et PF ne doivent pas être considérés comme marchandise dangereuse et peuvent être transportés sans aucun risque par voie aérienne, maritime et sur route.

PANNEAU SOLAIRE PHOTOVOLTAÏQUE PC

DESCRIPTION	DONNÉES
Tension nominale :	24 V ---
Puissance maximum :	10 W
Température d'utilisation :	de -40°C à +85°C
Dimensions :	354 mm x 290 mm x 28 mm
Poids :	1,4 Kg

Avertissement – Le verre du panneau photovoltaïque est testé pour résister à la grêle et à des impacts de moyenne entité (résiste à l'impact d'une sphère d'acier de 227 g, tombant d'1 m de hauteur). En cas de grêle ou d'impacts particulièrement violents, le verre pourrait s'endommager ; dans ce cas s'adresser au SAV Mhouse.

DÉCLARATION DE CONFORMITÉ CE

Note - Le contenu de cette déclaration de conformité correspond à ce qui est déclaré dans la dernière révision disponible du document officiel, déposé au siège de Nice S.p.a., avant l'impression de ce guide. Le texte ici présent a été réadapté pour des raisons d'édition.

PF est produit par NICE S.p.a. (TV) I ; Mhouse est une marque commerciale dont Nice S.p.a. est propriétaire.

Numéro : 304/PF **Révision : 0**

Je soussigné Luigi Paro, en qualité d'Administrateur Délégué, déclare sous mon entière responsabilité que le produit :

Nom du producteur : NICE s.p.a.

Adresse : Via Pezza Alta 13, Z.I. Rustignè, 31046 Oderzo (TV) Italie

Type : Kit solaire Mhouse

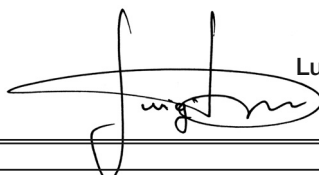
Modèles : PF

Accessoires : PBC

résulte conforme à ce qui est prévu par les directives communautaires suivantes :

- 2006/95/CEE (ex directive 73/23/CE) DIRECTIVE 2006/95/CE DU PARLEMENT EUROPÉEN ET DU CONSEIL du 12 décembre 2006 concernant le rapprochement des législations des états membres relatives au matériel électrique destiné à être employé dans certaines limites de tension, selon la norme harmonisée suivante : EN 60335-1:2002 + A1:2004 + A11:2004 + A12:2006 + A2:2006
- 2004/108/CEE (ex directive 89/336/CEE) DIRECTIVE 2004/108/CE DU PARLEMENT EUROPÉEN ET DU CONSEIL du 15 décembre 2004 relative au rapprochement des législations des États membres concernant la compatibilité électromagnétique et abrogeant la directive 89/336/CEE, selon les normes suivantes : EN 61000-6-2:2005; EN 61000-6-3:2007

Oderzo, 11 mars 2009



Luigi Paro (Administrateur Délégué)

ADVERTENCIAS Y PRECAUCIONES GENERALES DE SEGURIDAD

El diseño, la fabricación de los dispositivos que componen el producto y las informaciones contenidas en este manual respetan plenamente la normativa de seguridad vigente. Una instalación incorrecta puede provocar heridas graves a las personas que hacen el trabajo y a aquellas que utilizarán la instalación. Por dicho motivo, durante la instalación es importante respetar escrupulosamente todas las instrucciones mencionadas en este manual.

No proceda con la instalación si tuviera alguna duda y pida aclaraciones al Servicio de Asistencia Mhouse.

TRABAJAR EN CONDICIONES SEGURAS!

Atención – para la seguridad de las personas es importante respetar estas instrucciones.

Atención – Instrucciones importantes para la seguridad, guarde estas instrucciones para facilitar los trabajos futuros de mantenimiento o la eliminación del producto.

Respete las siguientes advertencias:

– realice únicamente las conexiones eléctricas mencionadas en este manual: una conexión incorrecta podría provocar daños graves al sistema.

– Los cables entregados deberán utilizarse en interiores y en entornos protegidos. Para poderlos utilizar en exteriores es necesario proteger los cables con un conducto de protección adecuado.

– no toque con objetos metálicos los contactos de los conectores presentes en el acumulador.

Teniendo en cuenta las situaciones de peligro que pueden generarse durante la instalación y el uso del producto, es necesario instalar los dispositivos entregados en el embalaje, observando las siguientes advertencias:

– no modifique ninguna pieza de los dispositivos si no está previsto en este manual. Las operaciones no permitidas pueden provocar desperfectos. El fabricante no se asumirá ninguna responsabilidad por daños originados por productos modificados arbitrariamente.

– no coloque los dispositivos cerca de fuentes de calor ni los exponga al fuego. Esto podría averiarlos y provocar desperfectos de funcionamiento, incendios o situaciones peligrosas.

– los dispositivos no deben ser sumergidos en el agua ni en otras sustancias líquidas. Durante la instalación, procure que no entren líquidos dentro de los dispositivos.

– el material de embalaje del producto debe ser eliminado respetando las normativas locales.

CONOCIMIENTO DEL PRODUCTO Y PREPARACIÓN PARA LA INSTALACIÓN

CAPÍTULO 1 – DESCRIPCIÓN Y USO PREVISTO

PF es un sistema de alimentación de energía solar destinado a los automatismos Mhouse para cancelas, puertas de garaje, toldos y productos similares (fig. 1).

¡Cualquier otro uso es considerado inadecuado! El fabricante no responde de los daños que pudieran surgir por un uso inadecuado del producto y diferente de aquel previsto en este manual.

Este sistema utiliza exclusivamente la energía solar para alimentar un automatismo, sin requerir la conexión a la red eléctrica.

El sistema suministra energía eléctrica de manera continua y permanente y puede ser utilizado en cualquier lugar (por ejemplo para automatizar una cancela colocada lejos de la línea eléctrica).

El sistema está formado de un panel fotovoltaico y de un acumulador de energía eléctrica:

– el **panel fotovoltaico** es un dispositivo capaz de convertir la energía solar directamente en energía eléctrica.

– el **acumulador** es un dispositivo que almacena la energía eléctrica producida por el panel fotovoltaico durante las horas de sol, y la suministra en cualquier hora del día, incluidos los días de mal tiempo. Un Led en el frente y un **zumbador** interior señalan los estados de carga o descarga de la batería interior.

En la parte trasera del acumulador hay 4 orificios para fijarlo a la pared. Es posible realizar una fijación permanente o bien una fijación con ganchos que permiten quitar y transportar el acumulador. Para facilitar esta operación hay una asa y dos conectores separables que consienten desconectar rápidamente el cuadro y el automatismo.

CAPÍTULO 2 – COMPONENTES PARA REALIZAR UN SISTEMA DE ALIMENTACIÓN COMPLETO

La **fig. 2** muestra todos los componentes necesarios para poder realizar un sistema de alimentación completo. Los componentes son:

- Panel fotovoltaico mod. PC;
- Soporte para la fijación del panel fotovoltaico;
- Herrajes metálicos (tornillos, arandelas, etc.);
- Acumulador de energía eléctrica mod. PB;

e) Cable de alimentación para la conexión entre el acumulador y una automatización;

f) Conectores de “pipeta”;

g) Tornillos para la fijación de la toma en “L”.

• Accesorios opcionales (no incluidos en el embalaje)

PF permite una completa autonomía energética del sistema sólo si se lo utiliza respetando los límites indicados en el capítulo 3.

En caso de superarse tales límites, – por ejemplo a causa de un uso intensivo del automatismo, – puede agotarse la energía acumulada. Para dichos casos hay disponible un alimentador, modelo PBC, que se conecta transitoriamente a la red eléctrica para recargar rápidamente el acumulador.

CAPÍTULO 3 – CONTROLES PRELIMINARES A LA INSTALACIÓN Y LÍMITES DE UTILIZACIÓN DEL PRODUCTO

Para establecer la idoneidad de PF respecto del automatismo a alimentar hay que llevar a cabo los controles descritos en este capítulo. Asimismo, controle en el capítulo “Características técnicas del Producto” si los datos técnicos de PF son adecuados para la utilización prevista y controle en el manual de instrucciones (o en los anexos) del automatismo si está predispuesto para funcionar con PF. **¡Atención!** - La presencia de un conector para la alimentación con acumuladores no significa que sea compatible. Los productos compatibles con PF han sido diseñados expresamente para reducir el consumo energético a lo esencial cuando el automatismo está detenido, mientras que un producto no optimizado, aunque consume poco, aun cuando esté detenido, consumiría una gran parte de la energía producida por el panel del PF.

Localice cerca del automatismo que debe alimentar, el punto más adecuado para instalar el panel fotovoltaico y el acumulador, teniendo en cuenta las siguientes obligaciones:

- los límites de utilización descritos en este capítulo;
- la longitud del cable de alimentación (3 m) y de aquel del panel fotovoltaico (3 m);
- el espacio disponible en proximidad de la automatización que haya que alimentar.

Además, realice los siguientes controles:

- d) compruebe que las superficies escogidas para fijar los dos dispositivos sean sólidas y puedan garantizar una fijación estable.
- e) controle que cada dispositivo que deba instalar quede colocado en una posición protegida de golpes accidentales.
- f) para cada dispositivo, controle lo siguiente:

Panel fotovoltaico

Controle que el lugar escogido para la instalación del panel pueda garantizar el 100% de insolación directa (pleno sol), en cualquier momento del año. En el caso específico, instale el panel lejos de la vegetación, paredes u otras situaciones que puedan crear zonas de sombra sobre su superficie. **¡Atención! – la superficie sensible debe recibir la radiación de los rayos solares en todos los puntos y directamente; una sombra parcial, aunque pequeña (por ejemplo a causa de una hoja o demás), reduce la capacidad energética del panel.**

Asimismo, controle que después de la instalación sea posible **orientar** e **inclinarse** correctamente el panel, según las instrucciones dadas en el capítulo 5.

Acumulador

Para obtener una eficiencia óptima del acumulador y una larga duración, es preferible instalarlo en un lugar protegido de las temperaturas altas en el verano y de las temperaturas bajas en el invierno.

De hecho, **el rendimiento del acumulador** depende de la temperatura del entorno donde está instalado; la eficiencia es ideal a unos 20°C aprox. mientras que se reduce con las temperaturas bajo cero.

Por el contrario, **la longevidad del acumulador** es influenciada sobre todo por las temperaturas altas veraniegas (por encima de 40°C) que aceleran el envejecimiento de las piezas. Por lo general, la vida promedio es de unos 4-5 años y depende de la intensidad con que se utiliza el automatismo. Lo ideal es no permitir que el acumulador se descargue excesivamente a causa de maniobras seguidas y prolongadas en el tiempo.

• Límites de utilización: número máximo posible de ciclos por día, en un determinado período del año

PF permite la completa autonomía energética del sistema que alimenta, mientras la energía promedio producida por el panel fotovoltaico (que a su vez es proporcional a aquella proporcionada por el sol) continúe siendo superior a aquella consumida por el automatismo.

Con un cálculo simple es posible estimar la cantidad máxima de ciclos por día que el automatismo puede realizar en un determinado período del año, a fin de que este balance energético sea positivo.

En este capítulo se trata la primera parte del cálculo (la **energía disponible**); la segunda parte del cálculo (la **energía consumida**, es decir la cantidad máxima de ciclos por día) se trata en el capítulo respectivo presente en el manual del automatismo.

¡Atención! - No todos los automatismos fabricados por Mhouse son compatibles con PF. Si en el manual de instrucciones (o en los anexos) del automatismo no hay un capítulo para el cálculo de los ciclos máximos obtenibles con la energía procurada por PF, significa que el automatismo no es compatible.

Establecer la energía disponible en un determinado período del año

Para establecer la energía disponible en un determinado período del año, proceda de la siguiente manera (el cálculo ya tiene en cuenta la eficiencia del panel fotovoltaico y del rendimiento del acumulador):

01. La **fig. 19** muestra la cantidad media de energía solar radiada por el sol sobre la tierra durante un año. Las 7 áreas destacadas indican que la cantidad de energía es distinta de zona en zona, a causa de factores como la latitud, la presencia de nubes, etc.
 - Por consiguiente, en la **fig. 19** localice el valor "**Ea**" de la energía media anual, disponible en su zona geográfica; también localice los grados de **latitud** en que se halla su zona.
02. Además del valor "**Ea**", es necesario considerar para su zona

incluso la evolución variable de la energía, en los distintos períodos del año. Efectivamente, por el subseguirse de las estaciones, la cantidad de energía es mayor o menor (véase la curva de los **gráficos AA** y **BB**): en los meses con mayor insolación (verano) hay disponible mucha más energía que en los meses invernales; esta diferencia es menos evidente acercándose hacia el ecuador y más acentuada acercándose hacia los polos terrestres.

— En caso que desee conocer el **número más bajo** de ciclos de maniobra por día, seleccione en el **gráfico AA** (para las zonas al norte del ecuador) o en el **gráfico BB** (para las zonas al sur del ecuador) la **curva** relativa a su latitud y el **período** del año con la radiación menor (éste corresponde al punto más bajo de la curva). Por último, cruce los dos datos, como en el ejemplo dentro del gráfico, para obtener el valor "**Am**" (radiación relativa a un período).

03. Ahora, calcule el valor "**Ed**", es decir la energía disponible en su zona para ese determinado período del año, multiplicando los datos de la siguiente manera: **Ea x Am = Ed**.

04. Por último, para obtener el **número máximo posible de ciclos por día, para el período escogido**, prosiga el cálculo utilizando el dato "**Ed**" hallado (energía disponible) y las instrucciones dadas en el capítulo específico del manual del automatismo.

Advertencia – Si durante el día el panel fotovoltaico quedara en la sombra durante una parte de tiempo (especialmente entre las 10:00 y las 14:00 horas), la energía disponible se reducirá en función de las horas que el panel no estuvo expuesto al sol.

CAPÍTULO 4 – AGOTAMIENTO DE LA CARGA ELÉCTRICA DEL ACUMULADOR

En el capítulo anterior se ha descrito cómo calcular el número máximo posible de ciclos por día del automatismo. Se trata de una valoración sobre la base de la energía promedio disponible durante el año. En caso que el clima fuera particularmente adverso durante un período de tiempo largo, o si por razones particulares fuera necesario realizar más maniobras de las admitidas, podría suceder que se agote la energía acumulada.

Cuando esto sucede, el Led en el acumulador señala el estado de la batería descargada con 1 destello cíclico del Led (con intervalos de unos 5 segundos) y con tonos de aviso ("bip") sincronizados con el Led: dicha señal puede ser transitoria o permanente. En ambos casos habrá que recargar el acumulador procediendo de una de las siguientes maneras:

A) realice una recarga rápida del acumulador utilizando el alimentador mod. PBC, accesorio opcional;

B) limite la utilización del automatismo esperando a que mejoren las condiciones climáticas y así recargar el acumulador mediante el panel fotovoltaico. En ambos casos, el aviso de "**batería descargada**" termina cuando el sistema alcanza una autonomía eléctrica suficiente como para hacer funcionar la automatización.

CAPÍTULO 5

1º PASO – Ensamblaje del soporte del panel fotovoltaico

Ensamble todos los componentes del soporte en la parte trasera del panel, procediendo como se muestra en la **fig. 3**.

¡Atención! – El soporte trasero del panel deberá colocarse (**fig. 3-b**) según el tipo de posición en que se fijará el panel. Para elegir dicha posición, véase la **fig. 6**.

2º PASO – Colocación del panel fotovoltaico

¡Atención! – Para que el panel funcione correctamente es necesario colocarlo con mucha precisión en el punto escogido. Después de haber realizado los controles indicados en el capítulo 3, siga escrupulosamente las siguientes instrucciones: en principio, el panel deberá colocarse de manera que pueda recibir la máxima cantidad de luz solar durante todo el día y durante todo el año. Esto significa que su orientación horizontal y su inclinación vertical deberán calcularse según el lugar de instalación del panel.

• **Defina la orientación horizontal correcta del panel**, procediendo de la siguiente manera:

a) Determine en el lugar de instalación los puntos cardinales del **NORTE** y del **SUR**, utilizando una brújula o un mapa geográfico del lugar.

b) Oriente el panel hacia el **NORTE** o hacia el **SUR** según estas descripciones:

– si el lugar de instalación fuera en un **País del Hemisferio Norte** (Estados Unidos, Europa, Rusia, etc.) el panel deberá estar orientado **exactamente hacia el SUR**;

– si el lugar de instalación fuera en un **País del Hemisferio SUR** (Sudamérica, Australia, Indonesia, etc.) el panel deberá estar orientado **exactamente hacia el NORTE**.

Para más aclaraciones, consulte la **fig. 4**.

• **Defina la orientación vertical correcta del panel**, procediendo de la siguiente manera:

Considerando que es preferible obtener la máxima eficiencia del panel durante el período invernal, cuando la energía disponible es menor que en el verano, hay que orientar el panel con una inclinación tal que reciba los rayos del sol perpendiculares a su superficie sensible.

Dicha inclinación corresponde a la **latitud del lugar** que puede obtenerse consultando cualquier mapa geográfico; por ejemplo, Madrid está en una latitud de 40°; Venecia de 45°; Londres de 50°, etc. Para más aclaraciones, consulte la **fig. 5**.

3º PASO – Fijación del panel fotovoltaico en el punto escogido

Después de haber establecido la posición del panel, fíjelo sobre la superficie tal como se muestra en la **fig. 6**.

4º PASO – Fijación del acumulador en el punto escogido

Después de haber realizado los controles indicados en el capítulo 3 y haber establecido exactamente la posición del acumulador, fíjelo a la superficie tal como se muestra en la **fig. 13**. **Nota** – *utilice 2 tornillos colocados en la parte inferior sólo si se desea fijar el acumulador de manera fija y no extraíble.*

5º PASO – Paso de los cables

¡IMPORTANTE! – Los cables entregados deberán utilizarse en interiores y en entornos protegidos. Para poderlos utilizar en exteriores es necesario proteger los cables con un conducto de protección adecuado.

Después de haber fijado el panel y el acumulador, pase el cable del panel a través del tubo o de la canaleta de protección hasta el acumulador.

Tomando como referencia el manual de instrucciones de la automatización, quite la tapa de protección de la Central de mando. Pase el extremo del cable de alimentación con los hilos pelados a través del automatismo (por donde pasan los demás cables) y hágalo salir del automatismo. Por último, pase el cable por la canaleta de protección hasta el acumulador.

¡Atención! – *No conecte el cable de alimentación a la Central: deje el acceso a la Central abierto.*

6º PASO – Ensamblajes de la toma en “L” en el cable del panel fotovoltaico

Si el cable fuera muy largo, acórtelo pelando los hilos de manera que sus longitudes sean **iguales** a aquellas indicadas en la **fig. 20** (**¡atención!** – *si las longitudes fueran diferentes será difícil ensambalar la toma*).

Posteriormente, ensamble la toma en “L” de **color GRIS** en el extremo del cable del panel, de la siguiente manera:

01. Introduzca en el cable los diferentes elementos que componen la toma, **respetando el orden** que se muestra en la **fig. 7**;

¡ATENCIÓN! – **No modifique el puente eléctrico presente en el conector (fig. 8).**

02. Con un destornillador plano, fije en el conector el hilo **Azul al borne nº 1** y el hilo **Marrón al borne de la toma de tierra (4)** (**fig. 9**):

Nota – *Los números y símbolos de referencia están impresos en el conector, en la parte inferior de los bornes y en la cara opuesta.*

03. Después de haber fijado los dos hilos, introduzca el conector en su protección (**fig. 10**).

Importante – **La posición correcta del conector es aquella con el símbolo de la toma de tierra colocado hacia abajo (véase la fig. 10);**

04. Posteriormente, tire del cable hacia fuera de la toma e introduzca en ésta la junta y la arandela (**fig. 11-a-b**). Por último, enrosque el prensaestopas (**fig. 11-c**) con una llave, **a fin de cerrarlo herméticamente.**

05. Después de ensamblar la toma, coloque la junta entregada en el lado de conexión de esta última (**fig. 12**).

7º PASO – Ensamblajes de la toma en “L” en el cable de alimentación

Si el cable fuera muy largo, acórtelo pelando los hilos de manera que sus longitudes sean **iguales** a aquellas indicadas en la **fig. 20** (**¡atención!** – *si las longitudes fueran diferentes será difícil ensambalar la toma*).

Posteriormente, ensamble la toma en “L” de **color NEGRO** en el extremo del cable de alimentación, de la siguiente manera:

01. Introduzca en el cable los diferentes elementos que componen la toma, **respetando el orden** que se muestra en la **fig. 7**;

¡ATENCIÓN! – **No modifique el puente eléctrico presente en el conector (fig. 8).**

02. Con un destornillador plano, fije en el conector el hilo **Azul al borne nº 1** y el hilo **Marrón al borne de la toma de tierra (4)** (**fig. 9**):

Nota – *Los números y símbolos de referencia están impresos en el conector, en la parte inferior de los bornes y en la cara opuesta.*

03. Después de haber fijado los dos hilos, introduzca el conector en su protección (**fig. 10**).

Importante – **La posición correcta del conector es aquella con el símbolo de la toma de tierra colocado hacia abajo (véase la fig. 10);**

04. Posteriormente, tire del cable hacia fuera de la toma e introduzca en ésta la junta y la arandela (**fig. 11-a-b**). Por último, enrosque el prensaestopas (**fig. 11-c**) con una llave, **a fin de cerrarlo herméticamente.**

05. Después de ensamblar la toma, coloque la junta entregada en el lado de conexión de esta última (fig. 12).

8° PASO – Conexión del panel fotovoltaico al acumulador

Para conectar el panel al acumulador, proceda de la siguiente manera:

01. Conecte la toma en "L" de **color GRIS** a la toma "IN" situada en el acumulador (fig. 14);
02. Fije la toma con el tornillo de seguridad suministrado, tomando como referencia la fig. 15. **Nota** – Si se prevé desconectar seguido la toma del acumulador, utilice el tornillo de fig. 16-a. En caso contrario, utilice el tornillo indicado en la fig. 16-b.

¡Atención! - En caso que el acumulador se esté recargando con el panel fotovoltaico, el Led rojo emitirá 2 breves destellos cada 5 segundos. Compruebe que esta señal se produzca cuando el panel está iluminado por el sol.

9° PASO – Conexión del acumulador a la automatización

Para conectar el acumulador a la automatización, proceda de la siguiente manera:

01. Conecte la toma en "L" de **color NEGRO** a la toma "OUT" situada en el acumulador (fig. 17);
02. Fije la toma con el tornillo de seguridad suministrado, tomando como referencia la fig. 18. **Nota** - Si se prevé desconectar seguido la toma del acumulador, utilice el tornillo de fig. 16-a. En caso contrario, utilice el tornillo indicado en la fig. 16-b.
03. Acceda a la Central de mando de la automatización y conecte el conector del cable de alimentación en la toma de la batería de compensación presente en la Central. Para localizar esta toma, consulte el manual de instrucciones de la automatización que debe alimentar.

¡Atención! - cuando el automatismo está alimentado por el PF, éste no puede y NO DEBE SER ALIMENTADO simultáneamente por la red eléctrica.

— Nota general —

IMPORTANTE – Después de haber conectado el producto a la automatización, no siempre la instalación podría funcionar; esto depende del hecho de que el acumulador podría estar descargado a causa del proceso normal de descarga automática que se produce con el pasar del tiempo, incluso cuando el producto está en almacén. En este caso es posible proceder de dos maneras:

- A) desconecte el acumulador de la Central de mando de la automatización y espere algunos días hasta que el panel fotovoltaico reciba suficiente luz solar como para recargar el acumulador;
- B) Realice una recarga rápida y completa del acumulador utilizando el alimentador de emergencia mod. PBC (accesorio opcional).

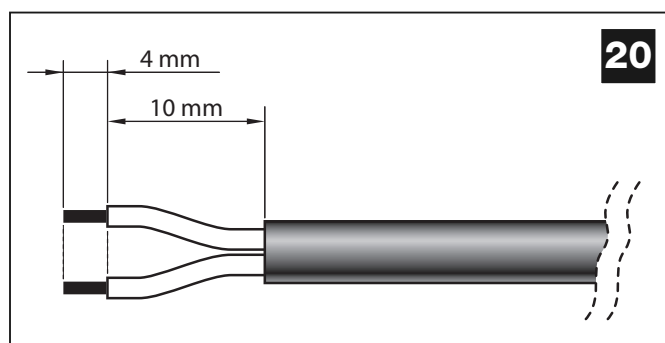
— Señales luminosas y acústicas —

El PF dispone de un Led y de un zumbador.

- Cuando el acumulador se esté recargando (desde el panel fotovoltaico o desde el cargador de batería), el Led rojo emitirá 2 destellos breves cada 5 segundos. Incluso después de la instalación, controle que dicha señal esté activa cuando el panel está iluminado por el sol.
- Cuando el acumulador ha concluido la recarga con el cargador de batería, el Led queda encendido con luz fija.
- Cuando el acumulador esté descargado, el Led rojo emitirá un breve destello cada 5 segundos, acompañado por un tono de aviso (bip).

— Notas de uso —

- **No deje NUNCA el acumulador conectado al automatismo si no está conectado también al panel fotovoltaico, y funciona correctamente.**
¡Atención! - En caso de no recargar el acumulador adecuadamente, éste agotará su reserva en pocos días.
- Si el automatismo no se utilizara por mucho tiempo, se aconseja desconectar los conectores del automatismo y del panel fotovoltaico del acumulador y guardar este último en un lugar fresco y seco.



QUÉ HACER SI... (guía para resolver los problemas)

• La Central de mando del automatismo no se enciende y el Led no emite ninguna señal.

Esto podría depender de las conexiones incorrectas o de los hilos eléctricos mal conectados. O bien podría suceder que el acumulador esté completamente descargado y que no logre dar ninguna señal: en este caso es necesario realizar una recarga rápida utilizando el alimentador (mod. PBC) o esperar que el panel fotovoltaico, conectado correctamente, comience a recargar el acumulador.

• El acumulador tiende a descargarse muy rápido.

Esto podría depender de un envejecimiento excesivo del acumulador por lo que sería oportuno sustituir la batería interior; o bien el motivo podría ser un uso muy intenso de la automatización, más allá del límite de utilización previsto en el capítulo 3 de este manual. También podría tratarse de un automatismo que no está predispu-

to para ser utilizado con PF, o que no esté configurado correctamente para el bajo consumo, o incluso que haya demasiados accesorios conectados.

• El acumulador no se recarga.

Esto podría depender de un funcionamiento incorrecto del panel fotovoltaico a causa de una instalación incorrecta, de una conexión mal hecha de los cables, o de un desperfecto de funcionamiento del acumulador.

TRABAJOS DE MANTENIMIENTO PERIÓDICO

Por lo general, este producto no requiere trabajos de mantenimiento específicos; sin embargo, un control regular permite mantener la instalación en buenas condiciones.

Para realizar un mantenimiento correcto, controle cada 6 meses que el panel fotovoltaico no tenga suciedad acumulada (hojas, arena, etc.): esto podría disminuir su eficiencia.

Además, es necesario controlar si es necesario sustituir el acumulador que, por su envejecimiento, podría reducir su autonomía.

Hay que tener en cuenta que la vida útil del acumulador depende, sobre todo, de las altas temperaturas en verano que aceleran el envejecimiento de las piezas. Normalmente, el promedio de vida útil del acumulador es de unos 4-5 años; esto también depende de la intensidad con la que se utiliza la automatización: lo ideal es no dejar que el acumulador se descargue excesivamente a causa de ciclos

de movimientos muy frecuentes y prolongados.

ATENCIÓN – El acumulador deberá ser sustituido exclusivamente por personal cualificado y experto.

ELIMINACIÓN

Eliminación del producto

Este producto forma parte integrante de la automatización y, por consiguiente, deberá ser eliminado junto con ésta.

Al igual que para las operaciones de instalación, también al final de la vida útil de este producto las operaciones de desguace deben ser llevadas a cabo por personal experto.

Este producto está formado de varios tipos de materiales: algunos pueden ser reciclados y otros deben ser eliminados. Infórmese sobre los sistemas de reciclaje o de eliminación previstos por las normativas vigentes locales para esta categoría de producto.

¡Atención! – algunas piezas del producto pueden contener sustancias contaminantes o peligrosas que, si se las abandonara en el medio ambiente, podrían provocar efectos perjudiciales para el mismo medio ambiente y para la salud humana.

Tal como indicado por el símbolo de aquí al lado, está prohibido arrojar este producto en los residuos urbanos. Realice la "recogida selectiva" para la eliminación, según los métodos previstos por las normativas vigentes locales, o bien entregue el producto al vendedor cuando compre un nuevo producto equivalente.



Además, el producto contiene un acumulador de plomo que es un elemento muy contaminante si no es eliminado correctamente. El acumulador debe ser desmontado y eliminado tal como explicado en el párrafo "Eliminación de la batería".

¡Atención! – las normas locales vigentes pueden prever sanciones importantes en el caso de eliminación abusiva de este producto.

Eliminación del acumulador

¡Atención! – El acumulador contiene sustancias contaminantes y, por dicho motivo, no debe arrojarse en los residuos normales después de haberlo desmontado. Hay que eliminarlo o reciclarlo utilizando los métodos previstos por las normativas vigentes locales.

CARACTERÍSTICAS TÉCNICAS DE LOS DIFERENTES COMPONENTES DEL PRODUCTO

ADVERTENCIAS: • El producto PF es fabricado por Nice S.p.a. (TV) I. **Mhouse** es una marca de Nice S.p.a. • Todas las características técnicas indicadas se refieren a una temperatura ambiente de 20°C (± 5°C) • Nice S.p.a. se reserva el derecho de modificar el producto en cualquier momento en que lo considere necesario, conservando las mismas funciones y el mismo uso previsto • El cálculo del número de ciclos por día, indicado en el capítulo 3 bajo "Límites de utilización", es válido exclusivamente con el panel fotovoltaico correctamente orientado y respetando todas las condiciones indicadas.

ACUMULADOR PB

DESCRIPCIÓN	DATOS
Tensión nominal	24 V $\overline{\text{---}}$
Corriente máxima:	10 V
Capacidad nominal de la batería:	20 Ah
Clase de protección:	IP 44
Temperatura de funcionamiento:	de -20°C a +50°C (cuando se está cargando con el alimentador de emergencia: de 0°C a +40°C)
Tiempo de recarga completa:	15 horas aprox. (utilizando el alimentador de emergencia)
Dimensiones:	258 mm x 235 mm x 180 mm
Peso:	14 kg

Nota – Los acumuladores utilizados en PB son del tipo VRLA ("Valve Regulated Lead Acid Batteries") es decir herméticos regulados por una válvula, y son conformes a la disposición específica A67 del Reglamento IATA/ICAO para las mercancías peligrosas. Por consiguiente, PB y PF no son considerados mercancía peligrosa y pueden ser transportados sin ningún riesgo por avión, mar y carretera.

PANEL FOTOVOLTAICO PC

DESCRIPCIÓN	DATOS
Tensión nominal	24 V $\overline{\text{---}}$
Potencia máxima:	10 W
Temperatura de funcionamiento:	de -40°C a +85°C
Dimensiones:	354 mm x 290 mm x 28 mm
Peso:	1,4 Kg

Advertencia – El vidrio del panel fotovoltaico ha sido fabricado para resistir el granizo y los golpes de intensidad mediana (resiste al impacto de una bola de acero de 227 gr, que cae de 1 m de altura). En el caso de granizo o de golpes muy fuertes, el vidrio podría romperse; en este caso, contacte con el Servicio de Asistencia Técnica Mhouse.

DECLARACIÓN DE CONFORMIDAD CE

Nota - El contenido de esta declaración corresponde a aquello declarado en la última revisión disponible, antes de la impresión de este manual, en el documento oficial, depositado en la sede de Nice S.p.a. En este manual, el texto ha sido readaptado por motivos de impresión.

PF es fabricado por NICE S.p.a. (TV) I; Mhouse es una marca comercial de propiedad de Nice S.p.a.

Número: 304/PF

Revisión: 0

El suscrito Lauro Buoro, en su carácter de Administrador Delegado, declara bajo su responsabilidad que el producto:

Nombre fabricante: NICE s.p.a.

Domicilio: Via Pezza Alta 13, Z.I. Rustignè, 31046 - Oderzo (TV) Italia

Tipo: Kit solar Mhouse

Modelos: PF

Accesorios: PBC

satisface los requisitos previstos por las siguientes directivas comunitarias:

- 2006/95/CEE (ex directiva 73/23/CE) DIRECTIVA 2006/95/CE DEL PARLAMENTO EUROPEO Y DEL CONSEJO del 12 de diciembre de 2006 relativa a la aproximación de las legislaciones de los Estados miembros sobre el material eléctrico destinado a ser utilizado en determinados límites de tensión, según la siguiente norma armonizada:
EN 60335-1:2002 + A1:2004 + A11:2004 + A12:2006 + A2:2006
- 2004/108/CEE (ex directiva 89/336/CEE) DIRECTIVA 2004/108/CE DEL PARLAMENTO EUROPEO Y DEL CONSEJO del 15 de diciembre de 2004 relativa a la aproximación de las legislaciones de los Estados miembros sobre la compatibilidad electromagnética y que deroga la directiva 89/336/CEE, según las siguientes normas:
EN 61000-6-2:2005; EN 61000-6-3:2007

Oderzo, 11 de Marzo de 2009

Luigi Paro (Administrador Delegado)

ALLGEMEINE SICHERHEITSHINWEISE UND MASSNAHMEN

Die Planung und Fertigung der Vorrichtungen, aus denen das Produkt besteht, sowie die im vorliegenden Handbuch enthaltenen Informationen entsprechen voll den gültigen Sicherheitsvorschriften. Trotzdem kann eine falsche Installation zu schweren Verletzungen der Personen führen, die die Arbeit ausführen und die Anlage benutzen. Aus diesem Grund ist es während der Installation wichtig, aufmerksam alle in diesem Handbuch aufgeführten Anleitungen zu befolgen.

Die Installation nicht fortführen, wenn Zweifel jeglicher Art vorliegen und eventuell Hilfe beim Kundendienst Mhouse anfordern.

SICHER ARBEITEN!

Achtung – für die Sicherheit von Personen ist es wichtig, sich an diese Anweisungen zu halten.

Achtung – wichtige Sicherheitsanleitungen, die somit aufbewahrt werden müssen, um eventuelle zukünftige Wartungs- oder Entsorgungsarbeiten des Produkts erleichtern.

Befolgen Sie diese Hinweise:

– Ausschließlich die in diesem Handbuch vorgesehenen elektrischen Anschlüsse ausführen: Eine falsche Ausführung der Anschlüsse könnte dem System schwerwiegende Schäden zufügen.

- Die benutzten Kabel müssen in geschützten Innenräumen verwendet werden. Um sie in Außenbereichen nutzen zu können, werden die Kabel mit geeigneten Schutzleitungen verlegt.
- Die Kontakte der im Speicher enthaltenen Stecker nicht mit Metallgegenständen berühren.

Unter Berücksichtigung der Risiken, die bei der Installation und der Bedienung des Produktes auftreten können, muss das Produkt in der Verpackung unter Beachtung der folgenden Hinweise installiert werden:

- führen Sie nur die Änderungen an Vorrichtungen aus, die im vorliegenden Handbuch vorgesehen sind. Vorgänge dieser Art werden nur Betriebsstörungen verursachen. Der Hersteller übernimmt keinerlei Haftung für Schäden, die durch willkürlich veränderte Produkte entstanden sind.
- bringen Sie die Vorrichtungen nicht in der Nähe von Wärmequellen oder freien Flammen an. Solche Handlungen können Betriebsstörungen, Brand und Gefahren verursachen.
- die Vorrichtungen sollten bei der Installation nicht in Wasser oder andere Flüssigkeit getaucht werden. Verhindern Sie bei der Installation, dass Flüssigkeiten in die Vorrichtungen eindringen können.
- das Verpackungsmaterial des Produktes muss unter genauester Einhaltung der örtlichen Vorschriften entsorgt werden.

KENNTNIS DES PRODUKTES UND VORBEREITUNG ZUR INSTALLATION

KAPITEL 1 – BESCHREIBUNG UND EINSATZ

PF ist ein Solarspeisungssystem, das für Mhouse-Automatisierungen für Tore, Garagentore, Markisen und ähnliche Produkte geeignet ist (Abb. 1).

Jeder andere Einsatz ist unsachgemäß! Der Hersteller übernimmt keinerlei Haftung für Schäden infolge von unsachgemäßem Gebrauch des Produktes, der anders ist als im vorliegenden Handbuch vorgesehen.

Dieses System nützt ausschließlich die Solarenergie, um eine Automatisierung ohne Stromnetzanschluss zu speisen.

Es ist in der Lage, elektrische Energie ständig und permanent abzugeben und kann überall eingesetzt werden (zum Beispiel zur Automatisierung eines Tors, das entfernt von einem Stromnetz montiert ist).

Das System besteht aus einem Kollektor für Photovoltaik und einem Akkumulator für die elektrische Energie:

– Der **Photovoltaik-Kollektor** ist eine Vorrichtung, die Solarenergie direkt in Strom umwandelt.

– Der **Akkumulator** ist eine Vorrichtung, die die durch den Kollektor für Photovoltaik produzierte elektrische Energie während den Sonnenstunden speichert und sie zu jeder Stunde, auch während Schlechtwettertagen zur Verfügung stellt. Eine Led auf der Vorderseite und ein interner *Summer* zeigen die verschiedenen Ladezustände der internen Batterie an.

Auf der Rückseite des Speichers befinden sich 4 Bohrungen für die Wandmontage. Es ist möglich, eine feste und permanente Befestigung oder eine Hakenbefestigung vorzunehmen, die die Beseitigung und den Transport des Speichers ermöglichen. Um diesen Vorgang erleichtern zu können, liegen ein Griff und zwei trennbare Stecker vor, um den Kollektor und die Automatisierung schnell trennen zu können.

KAPITEL 2 – BESTANDTEILE ZUR AUSFÜHRUNG EINES KOMPLETTEN SPEISUNGSSYSTEMS

Die **Abb. 2** zeigt alle Komponenten, die für ein komplettes Versorgungssystem nötig sind. Die Bestandteile lauten:

- Kollektor für Photovoltaik Mod. PC;
- Befestigungsbügel des Kollektors für Photovoltaik;
- Kleinwaren aus Metall (Schrauben, Unterlegscheiben, usw.);
- Akkumulator elektrische Energie Mod. PB;

- Speisekabel zur Verbindung des Akkumulators und eines Automatismus;
- „Pipetten“-Stecker;
- Befestigungsschrauben der Steckerbuchsen“.

• Optionen (in der Packung nicht vorhanden)

PF ermöglicht die vollständige Energieautonomie der Anlage, wenn sie bei Einhaltung der Limits laut Kapitel 3 verwendet wird.

Wenn diese Limits überschritten werden – zum Beispiel aufgrund einer intensiven Nutzung der Automatisierung – kann die Erschöpfung der gespeicherten Energie erfolgen.

Für diese Fälle ist ein Netzgerät, Modell PBC, erhältlich, das provisorisch an das Stromnetz angeschlossen wird, um den Speicher schnell aufzuladen.

KAPITEL 3 – PRÜFUNGEN VOR DER INSTALLIERUNG UND PRODUKTANWENDUNGSLIMITS

Zur Festsetzung der Eignung von PF gegenüber der zu speisenden Automatisierung, müssen die in diesem Kapitel beschriebenen Prüfungen ausgeführt werden.

Außerdem wird im Kapitel „Technische Eigenschaften des Produkts“ kontrolliert, ob die technischen Daten des PF für die vorgesehene Anwendung geeignet sind und in der Gebrauchsanweisung (oder den Addendum) der Automatisierung wird geprüft, ob der Betrieb dieser mit PF möglich ist. **Achtung!** - Die Anwesenheit eines Steckers für die Batteriespeisung ist kein Zeichen der Kompatibilität. Die mit PF kompatiblen Produkte wurden ausdrücklich entwickelt, um den Energieverbrauch auf ein Mindestmaß zu beschränken, wenn die Automatisierung steht, während ein nicht optimiertes Produkt auch bei Stillstand einen großen Teil der durch den Kollektor des PF erzeugten Energie verbraucht.

In der Nähe der zu speisenden Automatisierung den geeigneten Punkt zur Installation des Photovoltaik-Kollektors und des Speichers herausstellen und dabei die folgenden Einschränkungen beachten:

- die in diesem Kapitel beschriebenen Anwendungslimits;
- die Länge des Speisekabels (3 m) und die des Kollektors für Photovoltaik (3 m);

c) der verfügbare Platz am zu speisenden Automatismus.

Außerdem müssen die folgenden Prüfungen vorgenommen werden:

d) Prüfen, ob die für die Befestigung der beiden Vorrichtungen gewählten Oberflächen solide sind und eine stabile Befestigung garantieren.

e) prüfen, ob jede zu installierende Vorrichtung in einer vor plötzlichen Stößen geschützten Position angebracht ist.

f) insbesondere für jede Vorrichtung folgendes prüfen:

Kollektor für Photovoltaik

Sicherstellen, dass der für den Kollektor gewählte Installationsort eine 100%ige Sonneneinstrahlung (volle Sonne) an jedem Tag des Jahrs garantiert. Insbesondere den Kollektor entfernt von Pflanzen, Mauern oder anderen Situationen installieren, die Schattenbereiche auf seiner Oberfläche bilden können. **Achtung! - Die empfindliche Oberfläche muss von den Sonnenstrahlen in jedem Punkt und direkt bestrahlt werden, auch ein kleiner Teilschatten (zum Beispiel aufgrund eines Blatts oder ähnlichem) reduziert die Energiekapazität des Kollektors.**

Außerdem sicherstellen, dass der Kollektor nach seiner Installation **ausgerichtet** und **geneigt** werden kann, wie in den Anleitungen des Kapitels 5 beschrieben wird.

Akkumulator

Um von dem Speicher eine optimale und langfristige Effizienz zu erhalten, muss dieser vorzugsweise in einem vor hohen Sommer-temperaturen und niedrigen Wintertemperaturen geschützten Ort installiert werden.

Die **Leistung des Speichers** hängt vor allem von der Installationsumgebungstemperatur ab; die Effizienz ist bei 20°C optimal, während sie bei Temperaturen unter Null reduziert ist.

Die **Lebensdauer des Speichers** wird dagegen von den hohen Sommertemperaturen (über 40°C) beeinflusst, die die Alterung der Teile beschleunigen. Normalerweise beträgt die durchschnittliche Lebensdauer zirka 4-5 Jahre; das hängt auch von der Stärke ab, mit der die Automatisierung verwendet wird. Ideal ist es, den Speicher nicht zu stark aufgrund intensiver und langer Inbetriebnahmen zu entladen.

• Einsatzgrenzen: Mögliche Höchstanzahl der Zyklen pro Tag in einem bestimmten Zeitraum des Jahrs

PF ermöglicht die vollständige Energieautonomie der Anlage, die so lange speist, bis die durchschnittliche durch das Photovoltaikkollektor erzeugte Energie (die wiederum proportional zu der durch die Sonne gelieferte ist) nicht mehr über der durch die Automatisierung verbrauchten Energie liegt.

Mit einer einfachen Kalkulierung ist es möglich, die Höchstzahl der Zyklen pro Tag zu schätzen, die die Automatisierung in einem bestimmten Zeitraum des Jahres ausführen kann, damit diese Energiebilanz positiv bleibt.

Der erste Teil der Kalkulierung (**die verfügbare Energie**) wird in diesem Kapitel behandelt; der zweite Teil der Kalkulierung (**die verbrauchte Energie**, d.h. die Höchstzykluszahl pro Tag) wird in dem jeweiligen Kapitel des Handbuchs der Automatisierung beschrieben.

Achtung! - Nicht alle durch Mhouse produzierten Automatisierungen sind mit PF kompatibel. Wenn in der Gebrauchsanleitung (oder in den Addendum) der Automatisierung kein Kapitel zur Kalkulierung der mit der durch PF gelieferten Energie erreichbaren Höchstzyklen vorliegt, bedeutet das, dass die Automatisierung nicht kompatibel ist.

Die verfügbare Energie in einer bestimmten Jahreszeit festsetzen

Um die verfügbare Energie in einer bestimmten Jahreszeit festzusetzen, wie folgt vorgehen (die Kalkulierung betrachtet schon die Effizienz des Photovoltaik-Kollektors und die Leistung des Speichers):

01. Die **Abb. 19** zeigt die durchschnittliche Solarenergieemenge, die durch die Sonne auf die Erde in einem Jahr gebracht wird. Die herausgestellten 7 Bereiche zeigen an, dass die Energiemenge je nach Bereich unterschiedlich ist, da einige Faktoren, wie die Längenbreite, die Anwesenheit von Wolken usw. vorliegen.

— Dann wird in der **Abb. 19** der Wert **“Ea”** der jährlichen Durchschnittsenergie erfasst, die in Ihrem Gebiet verfügbar ist; außer-

dem werden die **Breitengrade** erfasst, in denen sich Ihr Gebiet befindet.

02. Außer dem erfassten Wert **“Ea”** muss in Ihrem Gebiet auch der variable Verlauf der Energie während den verschiedenen Jahreszeiten betrachtet werden. Aufgrund der aufeinander folgenden Jahreszeiten, ändert sich die Energiemenge (siehe Kurven der **Graphiken AA** und **BB**): In den Monaten mit höherer Sonneneinstrahlung (Sommer) ist viel mehr Energie als in den Wintermonaten erhältlich; diese Differenz ist in den Gebieten nahe des Äquators geringer und in den Gebieten nahe der Erdpole höher.

— Wenn man die niedrigste **Bewegungszykluszahl** pro Tag erfahren möchte, wird in der **Graphik AA** (in den Gebieten nördlich des Äquators) oder in der **Graphik BB** (in den Gebieten südlich des Äquators) die **Kurve** Ihres Breitengrads und die **Jahreszeit** mit der geringsten Sonneneinstrahlung gewählt (das entspricht dem niedrigsten Punkt der Kurve). Schließlich die beiden Daten wie in der Graphik gezeigt überkreuzen, um den Wert **„Am“** zu erhalten (Einstrahlung bezüglich einer Jahreszeit).

03. Nun wird der Wert **“Ed”** kalkuliert, d.h. die in Ihrem Gebiet verfügbare Energie in einer bestimmten Jahreszeit, indem die Daten wie folgt multipliziert werden: **Ea x Am = Ed**.

04. Um die mögliche **Zyklushöchstzahl pro Tag in der gewählten Jahreszeit** zu erhalten, wird die Kalkulierung nun mit dem Wert gefundenen **„Ed“** (verfügbare Energie) und den im spezifischen Kapitel in der Gebrauchsanweisung der Automatisierung vorliegenden Anleitungen kalkuliert.

Hinweis – Wenn der Photovoltaik-Kollektor während des Tages teilweise im Schatten bleibt (insbesondere von 10.00 bis 14.00 Uhr) reduziert sich die verfügbare Energie aufgrund der fehlenden Stunden der Sonnenstrahlenaussetzung des Kollektors.

KAPITEL 4 – ERSCHÖPFUNG DER ELEKTRISCHEN LADUNG DES AKKUMULATORS

Im vorherigen Kapitel wurde beschrieben, wie die mögliche Zyklus-höchstzahl der Automatisierung pro Tag kalkuliert werden kann. Es handelt sich um eine Schätzung aufgrund der durchschnittlich im Jahr verfügbaren Energie. Falls ein längerer Zeitraum mit besonders schlechten Wetterverhältnissen vorliegt oder falls aufgrund besonderer Anforderungen die Notwendigkeit besteht, mehrere Bewegungen als erlaubt auszuführen, könnte eine Erschöpfung der gespeicherten Energie erfolgen.

Falls dies erfolgt, zeigt die Led am Speicher den Zustand einer leeren Batterie mit 1 zyklischen Blinken der Led an (mit Unterbrechungen von zirka 5 Sekunden) und mit hörbaren, mit der Led synchronisierten „Beeps“. Diese Signalisierung kann vorübergehend oder permanent erfolgen. In beiden Fällen muss der Akkumulator wie folgt wieder aufgeladen werden:

A) eine schnelle Aufladung des Akkumulators mit dem Netzteil Mod. PBC (Option) vornehmen;

B) Die Anwendung der Automatisierung einschränken und darauf warten, dass das Wetter besser wird und der Speicher so durch den Photovoltaikkollektor wieder aufgeladen wird. Unter beiden Umständen endet der Hinweis **“Batterie leer”**, wenn das System eine ausreichende elektrische Autonomie erreicht hat, um die Automatisierung in Betrieb zu nehmen.

KAPITEL 5

SCHRITT 1 – Zusammenbau des Haltebügels des Kollektors für Photovoltaik

Alle Bestandteile des Haltebügels auf der Rückseite des Kollektors zusammenbauen, indem wie in **Abb. 3** gezeigt vorgegangen wird.

Achtung! – Der Bügel hinter dem Kollektor (**Abb. 3-b**) muss aufgrund der Art der Position angebracht werden, in der der Kollektor befestigt wird. Zur Auswahl dieser Position siehe **Abb. 6**.

SCHRITT 2 – Positionierung des Kollektors für Photovoltaik

Achtung! – Für eine gute Funktion des Kollektors ist es notwendig, dass dieser sehr präzise am gewählten Ort positioniert wird. Nach den in Kapitel 3 aufgeführten Prüfungen, müssen die folgenden Anleitungen sorgfältig eingehalten werden: Prinzipiell muss der Kollektor so angebracht werden, dass er während des Tages und über das Jahr hinweg ein Maximum an Sonne erhält. Das bedeutet, dass seine Ausrichtung auf der waagrechten Fläche und die Neigung auf der vertikalen Fläche aufgrund des Orts kalkuliert werden, in dem der Kollektor installiert wird.

• **Die korrekte Ausrichtung des Kollektors auf der waagrechten Fläche definieren**, wobei wie folgt vorgegangen wird:

a) Am Installierungsort die Kardinalpunkte **NORD** und **SÜD** definieren, wobei man einen Kompass oder eine Landkarte des Orts benützt.

b) Den Kollektor nach **NORDEN** oder **SÜDEN** aufgrund der folgenden Betrachtungen ausrichten:

– Wenn der Installierungsort sich in einem **Land nördlich des Äquators** befindet (USA, Europa, Russland, usw.) muss der Kollektor **genau nach SÜDEN** ausgerichtet werden;

– Wenn der Installierungsort sich in einem **Land südlich des Äquators** befindet (Lateinamerika, Australien, Indonesien, usw.), muss der Kollektor **genau nach NORDEN** ausgerichtet werden.

Für weitere Details siehe **Abb. 4**.

• **Die korrekte Ausrichtung des Kollektors auf der vertikalen Fläche definieren**, indem wie folgt vorgegangen wird:

In Anbetracht der Tatsache, dass es vorzuziehen ist, die höchste Effizienz des Kollektors im Winter zu erhalten, wenn die Energie geringer als im Sommer ist, muss der Kollektor mit einer Neigung ausgerichtet werden, um die senkrechten (frontalen) Sonnenstrahlen auf der empfindlichen Oberfläche zu erhalten.

Diese Neigung entspricht dem Breitengrad des Orts und kann aus jeder Landkarte entnommen werden: zum Beispiel besitzt Madrid den Breitengrad 40°; Venedig 45°; London zirka 50° usw. Für weitere Details siehe **Abb. 5**.

SCHRITT 3 – Befestigung des Kollektors für Photovoltaik am gewählten Ort

Nachdem die Position des Kollektors genau festgesetzt wurde, muss er auf der gewählten Fläche wie in **Abb. 6** gezeigt befestigt werden.

SCHRITT 4 – Befestigung des Akkumulators am gewählten Ort

Nachdem die in Kapitel 3 aufgeführten Prüfungen ausgeführt wurden und die Position des Akkumulators genau festgesetzt wurde, wird er auf der gewählten Fläche wie in **Abb. 13** gezeigt befestigt. **Anmerkung:** Die beiden unten liegenden Schrauben nur benützen, wenn der Akkumulator fest und nicht entfernbar befestigt werden soll.

SCHRITT 5 – Kabeldurchgang

WICHTIG! – Die mitgelieferten Kabel müssen in geschützten Innenräumen verwendet werden. Um sie in Außenbereichen nützen zu können, werden die Kabel mit geeigneten Schutzleitungen verlegt.

Nachdem der Kollektor und der Akkumulator befestigt wurden, das Kabel des Kollektors durch das Schutzrohr oder den Kabelkanal bis zum Akkumulator verlegen.

In Bezug auf die Gebrauchsanleitung des zu speisenden Automatismus wird der Schutzdeckel der Steuerzentrale entfernt. Dann wird das Ende der Speisungskabel mit offenen Drähten durch die Automatisierung (wo die anderen Kabel verlaufen) und aus der Automatisierung geführt. Schließlich das Kabel durch die eventuelle Schutzführung bis zum Akkumulator führen.

Achtung! – Das Speisungskabel mit der Steuerung verbinden; den Zugang zur Steuerung offen lassen.

SCHRITT 6 – Zusammenbau der “Pipetten”-Steckerbuchse am Kabel des Kollektors für Photovoltaik

Wenn das Kabel zu lang ist, kann es gekürzt werden, wobei darauf geachtet werden muss, dass die Drähte freigelegt werden, damit ihre Länge gleich derjenigen ist, die in der folgenden **Abb. 20 (Achtung! – Unterschiedliche Längen beeinträchtigen den folgenden Zusammenbau der Steckerbuchse)**.

Dann zum Zusammenbau der **grauen** “Pipetten”-Steckerbuchse am Ende des Kabels des Kollektors wie folgt übergehen:

01. Am Kabel die verschiedenen Bestandteile der Steckerbuchse einfügen, wobei die Reihenfolge laut **Abb. 7** eingehalten werden muss.

ACHTUNG! – Die elektrische Brücke am Steckverbinder nicht ändern (**Abb. 8**).

02. Mit einem geraden Schraubenzieher, am Steckverbinder den **blauen Draht an der Klemme Nr. 1** und den **braunen Draht an der Klemme der Erdsteckerbuchse befestigen (4)** (**Abb. 9**):

Anmerkung – Die Nummern und Bezugssymbole sind auf dem Steckverbinder unterhalb der Klemmen und auf der entgegengesetzten Seite aufgedruckt.

03. Nachdem die beiden Kabel befestigt wurden, den Steckverbinder in seinen Schutz einsetzen (**Abb. 10**).

Wichtig – Die korrekte Position des Steckverbinders ist diejenige mit dem Symbol der Erdsteckerbuchse, die nach unten zeigt (siehe **Abb. 10**);

04. Dann das Kabel nach außen ziehen und die Dichtung und die Scheibe in die Steckerbuchse einsetzen (**Abb. 11-a-b**). Schließlich den Kabelhalter einschrauben (**Abb. 11-c**), wobei ein Schlüssel benützt wird, um einen vollständig dichten Verschluss zu erreichen.

05. Nachdem die Steckdose zusammengesetzt wurde, an der Anschlussseite dieser die mitgelieferte Dichtung anbringen (**Abb. 12**).

SCHRITT 7 – Zusammenbau der “Pipetten”-Steckerbuchse am Speisekabel

Wenn das Kabel zu lang ist, kann es gekürzt werden, wobei die Drähte so befreit werden müssen, dass die Länge gleich derjenigen ist, die in der folgenden **Abb. 20 (Achtung! – unterschiedliche Längen beeinträchtigen den folgenden Zusammenbau der Steckerbuchse)**.

Dann zum Zusammenbau der **SCHWARZEN** “Pipetten”-Steckerbuchse am Ende des Speisekabels wie folgt übergehen:

01. Am Kabel die verschiedenen Bestandteile der Steckerbuchse gemäß der in **Abb. 7** gezeigten Reihenfolge einführen;

ACHTUNG! – Die elektrische Brücke am Steckverbinder nicht ändern (**Abb. 8**).

02. Mit einem geraden Schraubenzieher, am Steckverbinder den **blauen Draht an der Klemme Nr. 1** und den **braunen Draht an der Klemme der Erdsteckerbuchse befestigen (4)** (**Abb. 9**):

Anmerkung – Die Nummern und Bezugssymbole sind auf dem Steckverbinder unterhalb der Klemmen und auf der entgegengesetzten Seite aufgedruckt.

03. Nachdem die beiden Kabel befestigt wurden, den Steckverbinder in seinen Schutz einsetzen (**Abb. 10**).

Wichtig – Die korrekte Position des Steckverbinders ist diejenige mit dem Symbol der Erdsteckerbuchse, die nach unten zeigt (siehe Abb. 10);

04. Dann das Kabel nach außen ziehen und die Dichtung und die Scheibe in die Steckerbuchse einsetzen (Abb. 11-a-b). Schließlich den Kabelhalter einschrauben (Abb. 11-c), wobei ein Schlüssel benützt wird, um einen vollständig dichten Verschluss zu erreichen.
05. Nachdem die Steckdose zusammengesetzt wurde, an der Anschlussseite dieser die mitgelieferte Dichtung anbringen (Abb. 12).

SCHRITT 8 – Anschluss des Kollektors für Photovoltaik an den Akkumulator

Zum Anschluss des Kollektors an den Akkumulator wie folgt vorgehen:

01. Die **graue** "Pipetten"-Steckerbuchse an die Steckerbuchse "IN" am Akkumulator anschließen (Abb. 14);
02. Die Steckerbuchse mit der mitgelieferten Sicherheitsschraube befestigen, wobei man sich auf die Abb. 15 bezieht. **Anmerkung** – Wenn man vorsieht, die Steckerbuchse oft vom Akkumulator zu trennen, wird die Schraube laut Abb. 16-a benützt. Ansonsten die Schraube laut Abb. 16-b benützen.

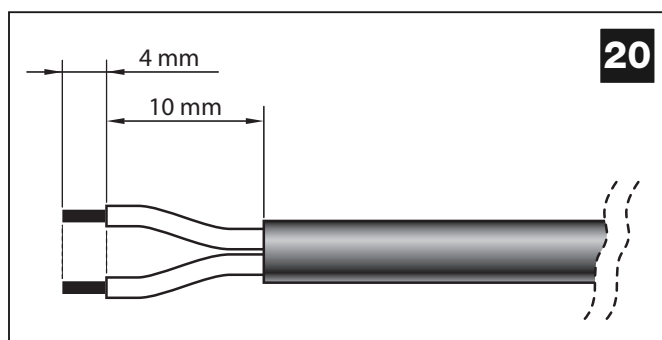
Achtung! - Wenn der Speicher durch den Photovoltaikkollektor aufgeladen wird, blinkt die rote Led alle 5 Sekunden 2 Mal kurz auf. Dann wird geprüft, ob diese Signalisierung vorliegt, wenn der Kollektor von der Sonne bestrahlt wird.

SCHRITT 9 – Anschluss des Akkumulators an den Automatismus

Zum Anschluss des Akkumulators an den Automatismus, wie folgt vorgehen:

01. Die **SCHWARZE** "Pipetten"-Steckerbuchse an die Steckerbuchse "OUT" am Akkumulator anschließen (Abb. 17);
02. Die Steckerbuchse mit der mitgelieferten Sicherheitsschraube befestigen, wobei man sich auf die Abb. 18 bezieht. **Anmerkung** – Wenn man vorsieht, die Steckerbuchse oft vom Akkumulator zu trennen, wird die Schraube laut Abb. 16-a benützt. Ansonsten die Schraube laut Abb. 16-b benützen.
03. Zugang zur Steuerzentrale des Automatismus erlangen und den Steckverbinder des Speisekabels in die Steckerbuchse der Pufferbatterie in der Zentrale einstecken. Um diese Steckerbuchse aufzufinden, bezieht man sich auf die Gebrauchsanleitungen des zu speisenden Automatismus.

Achtung! - Wenn die Automatisierung mit PF gespeist wird, darf sie NICHT GLEICHZEITIG auch durch das Stromnetz gespeist werden.



— Allgemeine Anmerkung —

WICHTIG – Nachdem das Produkt an den Automatismus angeschlossen wurde, könnte die Anlage nicht sofort betriebsbereit sein; das hängt von der Tastsache ab, dass der Akkumulator aufgrund des normalen Selbstentladeverfahrens, das mit der Zeit erfolgt, leer sein könnte, auch wenn es gelagert wird. In diesem Fall kann wie folgt vorgegangen werden:

A) Den Akkumulator von der Steuerzentrale der Automatisierung trennen und einige Tage abwarten, bis der Kollektor für Photovoltaik ausreichend Sonnenlicht erhalten hat, um den Akkumulator aufzuladen.

B) Ein schnelles und komplettes Wiederaufladen des Akkumulators bei Anwendung des Notnetzteils Mod. PBC vornehmen (Option).

— Leucht- und hörbare Signalisierungen —

Der PF verfügt über eine Led und einen Summer.

- Wenn der Speicher aufgeladen wird (durch Kollektor oder durch Batterieladegerät), blinkt die rote Led alle 5 Sekunden 2 Mal kurz auf. Prüfen, ob diese Signalisierung auch nach der Installation vorliegt, wenn der Kollektor von der Sonne bestrahlt wird.
- Wenn der Speicher die Aufladung durch das Batterieladegerät abgeschlossen hat, bleibt die Led fest erleuchtet.
- Wenn der Speicher leer ist, blinkt die rote Led 1 alle 5 Sekunden 1 mal kurz auf, was von einem hörbaren Beep begleitet wird.

— Betriebsanweisungen —

• **Den Speicher NIE mit der Automatisierung verbunden belassen, wenn nicht auch der Photovoltaik-Kollektor angeschlossen und funktionstüchtig ist.**

Achtung! - Wenn der Speicher nicht korrekt aufgeladen ist, erschöpft seine Reserve binnen weniger Tagen.

• Wenn die Automatisierung längere Zeit nicht benützt wird, werden die Stecker der Automatisierung und des Photovoltaikkollektors vom Speicher getrennt und dieser an einem kühlen und trockenen Ort aufbewahrt.

- **Die Steuerung der Automatisierung wird nicht eingeschaltet und die Led gibt keine Signalisierung auf.**

Das könnte von falschen Anschlüssen oder nicht perfekt eingesetzten Stromkabeln abhängen. Es könnte sich auch um einen vollständig leeren Akkumulator handeln, der somit keinen Hinweis geben kann: In diesem Fall ist es notwendig, eine Schnellaufladung mit dem Netzteil (Mod. PBC) vorzunehmen oder abzuwarten, dass der korrekt angeschlossene Kollektor für Photovoltaik beginnt, den Akkumulator wieder aufzuladen.

- **Der Akkumulator entlädt sich zu schnell.**

Das könnte von einer zu hohen Alterung des Speichers abhängen, somit wäre es empfehlenswert, die interne Batterie auszutauschen; die Ursache könnte auch eine zu intensive Anwendung der Automa-

tisierung sein, über den in diesem Handbuch (Kapitel 3) vorgesehene Limits hinaus.

Außerdem könnte es sich auch um eine Automatisierung handeln, die nicht für die Anwendung mit PF vorgesehen ist, oder nicht korrekt für den niedrigen Verbrauch konfiguriert oder mit zu vielen angeschlossenen Zubehöerteilen ausgestattet ist.

- **Der Speicher wird nicht aufgeladen.**

Das könnte von einer mangelhaften Funktion des Kollektors für Photovoltaik aufgrund einer falschen Installation oder von einer mangelhaften Funktion der Batterie abhängen.

REGELMÄSSIGE WARTUNGSARBEITEN

Normalerweise benötigt dieses Produkt keine besonderen Instandhaltungen, eine regelmäßige Kontrolle hält die Anlage jedoch immer in einem guten Zustand.

Zur Ausführung einer korrekten Wartung sollte somit alle 6 Monate kontrolliert werden, dass der Kollektor für Photovoltaik keinen Schmutz angesammelt hat (Blätter, Sand, usw.); dieser Schmutz könnte die Wirksamkeit beeinträchtigen.

Außerdem ist es notwendig zu prüfen, ob der Akkumulator ersetzt werden muss, da seine Autonomie aufgrund seines Alters mit der Zeit reduziert sein könnte.

Es muss in Betracht gezogen werden, dass die Lebensdauer des Akkumulators vor allem von den hohen Sommertemperaturen beeinflusst wird, die die Alterung der Teile beschleunigen. Normalerweise beträgt die durchschnittliche Lebensdauer des Akkumulators zirka

4-5 Jahre; das hängt auch von der Intensität ab, mit der die Automatisierung benützt wird: Der Akkumulator sollte aufgrund ständig ausgeführter Schaltzyklen nicht zu stark entladen werden.

ACHTUNG – Der eventuelle Austausch des Akkumulators darf ausschließlich von qualifiziertem und erfahrendem Personal ausgeführt werden.

ENTSORGUNG

Entsorgung des Produktes

Das vorliegende Produkt ist Bestandteil der Automation, die es steuert, und muss daher zusammen mit ihr entsorgt werden.

Wie die Installationsarbeiten muss auch die Abrüstung am Ende der Lebensdauer dieses Produktes von Fachpersonal ausgeführt werden.

Dieses Produkt besteht aus verschiedenen Stoffen: Einige können recycelt werden, andere müssen dagegen entsorgt werden. Informieren Sie sich bitte über die Recycle- oder Entsorgungssysteme, die von den in Ihrem Gebiet geltenden Vorschriften für diese Produktkategorie vorgesehen sind.

Achtung! - Bestimmte Teile des Produktes können Schadstoffe oder gefährliche Substanzen enthalten, die bei Gelangen in die Umwelt, schädliche Wirkungen auf die Umwelt und die Gesundheit der Menschen haben könnten.

Wie durch das Symbol seitlich angegeben, ist es verboten, dieses Produkt zum Haushaltsmüll zu geben. Daher differenziert nach den Methoden entsorgen, die von den auf Ihrem Gebiet gültigen Verordnungen vorgesehen sind, oder das Produkt dem Verkäufer beim Kauf eines neuen, gleichwertigen Produktes zurückgeben.



Außerdem enthält das Produkt einen Blei-Akkumulator, d.h. ein extrem umweltverschmutzendes Element, wenn es nicht korrekt entsorgt wird. Der Akkumulator muss gemäß den Vorschriften des Abschnitts "Entsorgung der Batterie" entfernt und entsorgt werden.

Achtung! – Die örtlichen Verordnungen können schwere Strafen im

Fall einer widerrechtlichen Entsorgung dieses Produktes vorsehen.

Entsorgung der Batterie

Achtung! – Die Batterie enthält Schadstoffe; sie darf daher nicht zum Hausmüll gegeben werden, nachdem sie entfernt worden ist. Sie muss bei Anwendung von Methoden entsorgt oder recycelt werden, die von den in Ihrem Gebiet geltenden Bestimmungen vorgesehen sind.

TECHNISCHE EIGENSCHAFTEN DER VERSCHIEDENEN PRODUKT-BESTANDTEILE

HINWEISE • PF ist ein Produkt der Nice S.p.a. (TV) I. **Mhouse** ist eine Handelsmarke der Firma Nice S.p.a. • Alle angegebenen technischen Merkmale beziehen sich auf eine Temperatur von 20°C (± 5°C). • Nice behält sich das Recht vor, jederzeit als nötig betrachtete Änderungen am Produkt vorzunehmen, wobei die Funktionalitäten und der Einsatzzweck beibehalten werden. • Die Schätzung der Mindestzykluszahl pro Tag laut Kapitel 3 des Punkts „Anwendungslimits“ gilt nur bei korrekt ausgerichteter Photovoltaikkollektor und bei Einhaltung aller angegebenen Bedingungen.

AKKUMULATOR PB

BESCHREIBUNG	DATEN
Netzspannung:	24 V $\overline{\text{---}}$
Höchststrom:	10 A
Nennkapazität der Batterie:	20 Ah
Schutzart:	IP 44
Betriebstemperatur:	von -20°C bis +50°C (wenn er mithilfe eines Notnetzteils geladen wird: von 0°C bis +40°C)
TVollständige Ladezeit:	Zirka 15 Stunden (mithilfe des Notnetzteils)
Abmessung:	258 mm x 235 mm x 180 mm
Gewicht:	14 kg

Anmerkung – Die in PB angewendeten Akkumulatoren lauten VRLA, "Valve Regulated Lead Acid Batteries", d.h. ventilgeregelt und dicht; sie entsprechen der Vorschrift A67 der Richtlinie IATA/ICAO für gefährliche Güter. PB und PF sind somit nicht als gefährliche Güter anzusehen und können ohne jedes Risiko im Flugzeug, auf dem Schiff oder per LKW transportiert werden.

KOLLEKTOREN FÜR PHOTOVOLTAIK PC

BESCHREIBUNG	DATEN
Netzspannung:	24 V $\overline{\text{---}}$
Höchstleistung:	10 W
Betriebstemperatur:	von -40°C bis +85°C
Abmessung:	354 mm x 290 mm x 28 mm
Gewicht:	1,4 Kg

Hinweis – Das Glas des Kollektors für Photovoltaik wurde auf die Festigkeit gegen Hagel- und mittelstarke Stöße getestet (widersteht dem Aufschlag einer Stahlkugel mit 227 g aus 1 m Höhe). Bei besonders starkem Hagel oder Stößen könnte das Glas beschädigt werden, in diesem Fall wendet man sich an den Technischen Kundendienst Mhouse.

EG-KONFORMITÄTSERKLÄRUNG

Anmerkung - Der Inhalt dieser Erklärung entspricht dem in der vor dem Druck dieser Anleitung verfügbaren, letzten Revision, der offiziellen Unterlage, die sich im Firmensitz der Nice S.p.a. befindet. Dieser Text wurde aus Herausgebergründen überarbeitet.

PF ist ein Produkt der Nice S.p.a. (TV) I; Mhouse ist eine Handelsmarke der Gruppe Nice S.p.a.

Nr.: 304/PF **Revision: 0**

Der Unterzeichnete Luigi Paro erklärt als Geschäftsführer unter seiner Haftung, dass das Produkt:

Herstellername: NICE s.p.a.

Adresse: Via Pezza Alta 13, Z.I. Rustignè, 31046 Oderzo (TV) Italien

Typ: Solar-Paket Mhouse

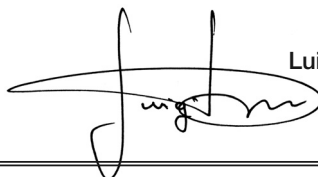
Modelle: PF

Zubehör: PBC

übereinstimmt mit den Bestimmungen folgender EG-Richtlinien:

- 2006/95/EWG (ehemals Richtlinie 73/23/EG) RICHTLINIE 2006/95/EG DES EUROPÄISCHEN PARLAMENTS UND DES RATES vom 12. Dezember 2006 zur Angleichung der Rechtsvorschriften der Mitgliedstaaten betreffend elektrischer Betriebsmittel zur Verwendung innerhalb bestimmter Spannungsgrenzen, gemäß den folgenden harmonisierten Normen:
EN 60335-1:2002 + A1:2004 + A11:2004 + A12:2006 + A2:2006
- 2004/108/EWG (ehemals Richtlinie 89/336/CEE) RICHTLINIE 2004/108/EG DES EUROPÄISCHEN PARLAMENTS UND DES RATES des 15. Dezembers 2004 zur Angleichung der Rechtsvorschriften der Mitgliedstaaten bezüglich der elektromagnetischen Verträglichkeit und der Aufhebung der Richtlinie 89/336/EWG, gemäß den folgenden Normen:
EN 61000-6-2:2005; EN 61000-6-3:2007

Oderzo, 11. März 2009



Luigi Paro (Geschäftsführer)

OGÓLNE ZALECENIA I OSTRZEŻENIA DOTYCZĄCE BEZPIECZEŃSTWA

Projekt i produkcja urządzeń składających się na produkt, a także informacje zawarte w niniejszej instrukcji są w pełni zgodne z obowiązującymi normami bezpieczeństwa. Pomimo to nieprawidłowy montaż i programowanie mogą doprowadzić do ciężkich urazów osób wykonujących daną pracę lub użytkowników instalacji. W związku z tym, podczas montażu, należy postępować ściśle według zaleceń zawartych w niniejszej instrukcji.

W przypadku jakichkolwiek wątpliwości, nie przystępuj do instalacji, ale zwróć się o ewentualne wyjaśnienia do Serwisu Technicznego Mhouse.

PRACUJĄC ZACHOWAJ ZASADY BEZPIECZEŃSTWA!

Uwaga – Dla bezpieczeństwa osób ważne jest przestrzeganie poniższych zaleceń.

Uwaga – Znajdziesz tu ważne instrukcje dotyczące bezpieczeństwa, w związku z tym przechowuj tę instrukcję obsługi w celu ułatwienia ewentualnych przyszłych operacji konserwacji i utylizacji urządzenia.

Przestrzegaj następujących zaleceń:

- wykonuj wyłącznie podłączenia elektryczne przewidziane w niniejszej instrukcji. Niewłaściwe wykonanie podłączeń mogłoby doprowadzić do poważnego uszkodzenia systemu.
- Przewody znajdujące się w wyposażeniu urządzenia muszą być używane wewnątrz budynków i muszą być odpowiednio

zabezpieczone. Aby móc je używać również na zewnątrz zastosuj specjalne zabezpieczenia.

– nie dotykaj metalowymi przedmiotami styków złączy znajdujących się w akumulatorze.

Biorąc pod uwagę ryzyko, które może wystąpić na różnych etapach montażu i użytkowania produktu, podczas montażu elementów należy pamiętać o następujących ostrzeżeniach:

- nie wprowadzaj zmian w żadnej z części urządzeń, o ile nie są to zmiany przewidziane w niniejszej instrukcji. Takie działanie mogłoby tylko przyczynić się do nieprawidłowej pracy instalacji. Producent nie bierze na siebie żadnej odpowiedzialności za uszkodzenia powstałe w wyniku użytkowania produktów zmodyfikowanych na własną rękę.
- nie wystawiaj urządzeń na bliski kontakt ze źródłem ciepła lub otwartym ogniem. Takie zachowanie może doprowadzić do uszkodzenia, urządzeń, ich nieprawidłowego działania, pożaru i innych niebezpiecznych sytuacji.
- unikaj zetknięcia urządzeń z wodą lub innymi płynami. W czasie montażu nie wolno pozwolić by jakiegokolwiek substancje płynne dostały się do wnętrza urządzeń.
- Opakowania produktu muszą być zutylizowane zgodnie z lokalnymi przepisami.

ZNAJOMOŚĆ PRODUKTU I PRZYGOTOWANIE DO MONTAŻU

ROZDZIAŁ 1 – OPIS I PRZEZNACZENIE UŻYTKOWANIA

PF jest systemem zasilania energią słoneczną, przeznaczonym dla siłowników Mhouse stosowanych do bram, drzwi garażowych, markiz i podobnych urządzeń (rys. 1).

Każde inne użycie jest niewłaściwe! Producent nie odpowiada za szkody wyrządzone przez nieprawidłowe użycie produktu, odmienne od opisanego w niniejszej instrukcji.

Ten system wykorzystuje do zasilania siłownika wyłącznie energię słoneczną, bez konieczności podłączania do sieci elektrycznej.

Jest w stanie dostarczać energię elektryczną w sposób ciągły i stały. Może być wykorzystywany wszędzie (na przykład do automatyzacji bramy wjazdowej usytuowanej z dala od sieci elektrycznej).

System składa się ze słonecznego panelu fotoelektrycznego oraz z akumulatora energii elektrycznej:

- **panel fotoelektryczny** jest urządzeniem, które jest w stanie zamieniać energię słoneczną bezpośrednio na energię elektryczną.
- **akumulator** to urządzenie, które gromadzi energię elektryczną wytwarzaną przez panel fotoelektryczny w czasie godzin słonecznych, a następnie dostarcza ją do automatyki w każdej chwili, nawet podczas złej pogody. Dioda znajdująca się w przedniej części oraz wewnętrzny sygnalizator akustyczny sygnalizują różne stany naładowania lub rozładowania akumulatora.

Z tyłu akumulatora znajdują się 4 otwory umożliwiające jego przymocowanie do ściany. Są możliwe dwa rodzaje przymocowania akumulatora: stałe lub ruchome, z zastosowaniem haczyków, które umożliwiają wyjmowanie i przenoszenie akumulatora. Aby ułatwić tę operację został zamontowany specjalny uchwyt i dwie osobne złączki, które umożliwiają szybkie rozłączenie panelu i automatu.

ROZDZIAŁ 2 – CZĘŚCI SKŁADAJĄCE SIĘ NA KOMPLETNY SYSTEM ZASILANIA

Na rys. 2 przedstawiono wszystkie części, składające się na kompletny system zasilania. Są to:

- Panel fotoelektryczny mod. PC;
- Uchwyt do mocowania panelu fotoelektrycznego;
- Drobne części metalowe (śruby, podkładki, itd.);

- Akumulator energii elektrycznej mod. PB;
- Przewód zasilający, który służy do połączenia akumulatora z automatyką;
- Złączki typu "L";
- Śruby do mocowania gniazdka kablowego.

• Akcesoria opcjonalne (nie wchodzą w skład zestawu)

System zasilania PF pozwala na całkowitą autonomię energetyczną instalacji wyłącznie, jeśli jest on używany zgodnie z ograniczeniami podanymi w rozdziale 3.

Jeżeli te ograniczenia zostaną przekroczone – na przykład w wyniku intensywnego używania automatyki – może nastąpić wyczerpanie nagromadzonej energii.

W tym przypadku należy wykorzystać zasilacz, model PBC, który należy podłączyć do sieci elektrycznej, aby szybko doładować akumulator.

ROZDZIAŁ 3 – KONTROLA WSTĘPNA PRZED MONTAŻEM I OGRANICZENIA EKSPLOATACYJNE PRODUKTU

Aby ustalić, czy system PF jest odpowiedni dla zasilania danego modelu siłownika, należy przeprowadzić weryfikacje opisane w tym rozdziale.

Należy ponadto sprawdzić w rozdziale "Parametry techniczne urządzenia", czy dane techniczne PF są odpowiednie dla przewidzianego zastosowania oraz w instrukcji obsługi siłownika (lub w załączniku), czy może on funkcjonować z systemem zasilania PF. **Uwaga!** - Sama obecność złącza zasilania akumulatorowego nie jest wskaźnikiem kompatybilności urządzenia. Urządzenia kompatybilne z systemem zasilania PF zostały specjalnie zaprojektowane w celu zredukowania zużycia energii do niezbędnego, w przypadku, kiedy siłownik jest wyłączony; natomiast urządzenie nieoptymalizowane, pomimo, że w czasie pracy zużywa niewielką ilość energii, może wyczerpać, również podczas postoju, większość energii wytwarzanej przez panel PF.

Znajdź w pobliżu siłownika przeznaczonego do zasilania najbardziej odpowiednie miejsce, w którym możesz zamontować panel foto-

elektryczny i akumulator, uwzględniając następujące ograniczenia:

- a) ograniczenia eksploatacyjne opisane w niniejszym rozdziale;
- b) długość przewodu zasilania (3 m) oraz długość przewodu panelu fotoelektrycznego (3 m);
- c) wolny obszar, znajdujący się w pobliżu automatyki.

Ponadto należy przeprowadzić następujące kontrole:

- d) sprawdzić, czy powierzchnie wybrane do montażu obu urządzeń są trwale i czy mogą zagwarantować stabilne przymocowanie.
- e) upewnić się czy urządzenia zostaną zamontowane w miejscach chronionych przed przypadkowymi uderzeniami.
- f) odnośnie poszczególnych urządzeń należy sprawdzić w szczególności co następuje:

Panel fotoelektryczny

Upewnij się, że miejsce wybrane wcześniej do zamontowania panelu może zagwarantować 100% bezpośredniego nasłonecznienia (w pełnym słońcu), w każdym dniu roku. W szczególności zamontuj panel z dala od roślinności, ścian lub innych obiektów, które mogą stwarzać strefy cienia na jego powierzchni. **Uwaga! - powierzchnia wrażliwa musi być oświetlona w każdym miejscu przez bezpośrednio padające promienie słoneczne; częściowy cień, występujący również na małych powierzchniach (spowodowany na przykład przez liść lub inne podobne przedmioty), znacznie redukuje wydajność energetyczną panelu.** Sprawdź ponadto, czy istnieje możliwość prawidłowego **ustawienia i nachylenia** panelu, w odniesieniu do instrukcji zawartych w rozdziale 5.

Akumulator

Aby uzyskać optymalne osiągi i długi okres eksploatacji preferowane jest zainstalowanie akumulatora w miejscu chronionym przed wysoką temperaturą w lecie i niską temperaturą w zimie.

Osiągi akumulatora zależą od temperatury otoczenia, w którym jest zainstalowany; jego skuteczność jest optymalna w temp. ok. 20°C natomiast ulega ona redukcji w temperaturach poniżej zera.

Okres eksploatacji akumulatora ulega skróceniu przede wszystkim na skutek wysokich temperatur w lecie (powyżej 40°C), które przyspieszają starzenie się części składowych. Zwykle średni okres eksploatacji akumulatora określa się na około 4-5 lat; zależy on również od intensywności, z którą używana jest automatyka. Zapobiegaj nadmiernemu rozładowywaniu akumulatora w wyniku manewrów bardzo częstych i długotrwałych.

• Ograniczenia zastosowania: maksymalna możliwa ilość manewrów dziennie w określonej porze roku

System zasilania PF umożliwi całkowitą autonomię energetyczną zasilanej instalacji, dopóki średnia ilość energii wytwarzanej przez panel fotoelektryczny, (która z kolei jest proporcjonalna do energii dostarczanej przez słońce) będzie większa od energii zużywanej przez automatykę.

Z pomocą prostego obliczenia jest możliwe oszacowanie maksymalnej ilości manewrów dziennie, które siłownik może wykonać w określonej porze roku, aby ten bilans energetyczny był dodatni.

Pierwsza część obliczenia (**energia do dyspozycji**) jest omawiana w tym rozdziale; natomiast jego druga część (**energia zużyta**, czyli maksymalna ilość manewrów wykonywanych dziennie) jest omawiana w odpowiednim rozdziale znajdującym się w instrukcji obsługi automatyki.

Uwaga! - Nie wszystkie siłowniki wyprodukowane przez Mhouse są kompatybilne z systemem zasilania PF. Jeżeli w instrukcji obsługi automatyki (lub w załącznikach) nie znajduje się rozdział dotyczący obliczania maksymalnej ilości manewrów, które można uzyskać z zastosowaniem energii dostarczanej przez PF, oznacza to, że ten produkt nie jest kompatybilny.

Ustalanie energii będącej do dyspozycji w określonej porze roku

Aby ustalić ilość energii będącej do dyspozycji w określonej porze roku należy postępować w następujący sposób, (obliczenie uwzględnia skuteczność panelu fotoelektrycznego oraz wydajność akumulatora):

- 01.** Na **rys. 19** przedstawiona jest średnia ilość energii słonecznej

wysyłanej przez słońce na Ziemię w ciągu jednego roku. 7 zaznaczonych stref wskazuje, że ilość energii jest różna w różnych strefach, w wyniku różnych czynników takich jak np. szerokość geograficzna, występowanie lub brak zachmurzenia, itp. — Na **rys. 19** odczytaj wartość średniej energii rocznej "**Ea**", będącej do dyspozycji w Twojej strefie geograficznej; następnie odczytaj również **szerokość geograficzną** Twojej strefy, wyrażoną w stopniach.

- 02.** Oprócz odczytanej wartości "**Ea**" musisz również uwzględnić w Twojej strefie zmienny przebieg energii w różnych porach roku. Rzeczywiście w wyniku następowania po sobie różnych pór roku ilość energii zmienia się na większą lub mniejszą, (patrz krzywe przedstawione na **wykresach AA i BB**): podczas miesięcy, w których występuje większe nasłonecznienie (w lecie) jest dostępna znacznie większa ilość energii niż w miesiącach zimowych; ta różnica jest mniej widoczna w strefach znajdujących się w okolicach równika, natomiast jest bardziej widoczna w strefach znajdujących w pobliżu biegunów Ziemi.

— Dlatego też, jeżeli zamierza się poznać **najmniejszą ilość manewrów** dziennie należy wybrać na **wykresie AA** (przeznaczony dla stref położonych na północ od równika) lub na **wykresie BB** (przeznaczony dla stref położonych na południe od równika), **krzywą** dotyczącą Waszej morza szerokości geograficznej i **porę** roku, w której występuje mniejsze nasłonecznienie, (odpowiada najniższemu punktowi krzywej). Wreszcie połącz te dwie dane, jak pokazano na przykładzie znajdującym się na wykresie, aby uzyskać wartość "**Am**" (nasłonecznienie dotyczące danej pory roku).

- 03.** Teraz oblicz wartość "**Ed**" czyli energię, która jest do dyspozycji w Twojej strefie w określonej porze roku, mnożąc uzyskane dane według następującego wzoru: **Ea x Am = Ed**.
- 04.** Teraz, aby uzyskać **maksymalną możliwą ilość manewrów dziennie w wybranej porze roku**, kontynuuj obliczenia, wykorzystując znalezioną wartość "**Ed**" (energia do dyspozycji) oraz instrukcje zamieszczone w odpowiednim rozdziale instrukcji obsługi automatyki.

Uwaga - Jeżeli w ciągu dnia panel fotoelektryczny pozostanie w cieniu przez pewną ilość czasu, (w szczególności od godziny 10.00 do 14.00), ilość energii będącej do dyspozycji zostanie zredukowana w zależności od ilości godzin, podczas których panel nie był oświetlany przez słońce.

ROZDZIAŁ 4 – WYCZERPANIE ŁADUNKU AKUMULATORA

W poprzednim rozdziale został opisany sposób obliczania maksymalnej możliwej ilości manewrów automatyki dziennie. Została ona oszacowana w oparciu o średnią ilość energii dostępną w ciągu roku. W przypadku długiego okresu funkcjonowania w szczególnie niekorzystnych warunkach atmosferycznych lub też jeżeli ze względu na szczególne wymagania stanie się konieczne wykonanie większej ilości manewrów od tej, która jest dozwolona, może się zdarzyć, że nagromadzona energia wyczerpie się.

Kiedy tak się stanie dioda na akumulatorze zasygnalizuje stan rozładowania baterii przy pomocy 1 cyklicznego błysku diody, (w odstępach co około 5 sekund) oraz przy pomocy krótkich sygnałów dźwiękowych zsynchronizowanych z diodą; ta sygnalizacja może być tymczasowa lub stała. Sygnalizacja może być czasowa lub stała. W obydwu przypadkach należy naładować ponownie akumulator, wykorzystując w tym celu jedną z poniżej opisanych procedur:

A) wykonaj szybkie doładowanie akumulatora przy wykorzystaniu zasilacza mod. PBC (opcjonalnie);

B) ogranicz używanie automatyki w oczekiwaniu na poprawę warunków klimatycznych, która umożliwi w ten sposób naturalne doładowanie akumulatora, z zastosowaniem panelu fotoelektrycznego. W obydwu przypadkach sygnały informujące o "rozładowanym akumulatorze" zanikają, kiedy system osiąga wymagany poziom doładowania, umożliwiając pracę automatyki.

ROZDZIAŁ 5

KROK 1 – Montaż uchwyty mocującego panelu fotoelektrycznego

Zamontuj wszystkie elementy uchwyty mocującego od spodu panelu, postępując w sposób pokazany na **rys. 3**.

Uwaga! – Uchwyt znajdujący się z tyłu panelu musi być ustawiony (**rys. 3-b**) w sposób odpowiedni do pozycji, w której zostanie następnie zamocowany panel. Wybór pozycji zilustrowano na **rys. 6**.

KROK 2 – Ustawienie panelu fotoelektrycznego

Uwaga! – Prawidłowe działanie panelu zapewni wyłącznie bardzo precyzyjne ustawienie go w wybranym miejscu. Po przeprowadzeniu kontroli opisanych w rozdziale 3, należy dokładnie wykonać następujące zalecenia: panel musi być ustawiony tak, by odbierać jak najwięcej światła słonecznego podczas całego dnia oraz w ciągu całego roku. Oznacza to, że jego pozycja w płaszczyźnie poziomej oraz nachylenie w płaszczyźnie pionowej muszą zostać obliczone, przy uwzględnieniu położenia geograficznego miejsca montażu.

• **Wybierz prawidłowe ustawienie panelu w płaszczyźnie poziomej**, postępując w następujący sposób:

a) Określ w miejscu montażu punkty, które wyznaczają **PÓŁNOC** i **POŁUDNIE**, korzystając przy tym z kompasu i mapy geograficznej danego miejsca.

b) Następnie nakieruj panel na **PÓŁNOC** lub na **POŁUDNIE**, pamiętając o następujących zaleceniach:

– jeśli miejsce montażu znajduje się w kraju na Północ od Równika (Stany Zjednoczone, Europa, Rosja, itd.) panel musi być nakierowany dokładnie **na POŁUDNIE**;

– jeśli miejsce montażu znajduje się w kraju na Południe od Równika (Ameryka Południowa, Australia, Indonezja, itd.) panel musi być nakierowany dokładnie **na PÓŁNOC**.

Szczegółowo przedstawiono to na **rys. 4**.

• **Wybierz prawidłowe nakierowanie panelu w płaszczyźnie pionowej**, postępując w następujący sposób:

Uwzględniając, że preferowane jest uzyskanie maksymalnej skuteczności panelu w okresie zimowym, kiedy ilość energii dostępnej jest mniejsza niż w lecie, należy ustawić panel pod takim kątem, aby w zimie odbierał promienie słoneczne padające prostopadle (frontalne) do powierzchni wrażliwej.

Nachylenie to odpowiada szerokości geograficznej danego miejsca, którą można odczytać z każdej mapy geograficznej: na przykład szerokość geograficzna Madrytu to 40°; Wenecji - 45°; Londynu - około 50° itd. Szczegółowo przedstawiono to na **rys. 5**.

KROK 3 – Mocowanie panelu fotoelektrycznego w wybranym miejscu

Po precyzyjnym określeniu miejsca montażu docelowego, należy przystąpić do mocowania panelu na wybranej powierzchni, jak pokazano to na **rys. 6**.

KROK 4 – Przymocowanie akumulatora

Po przeprowadzeniu kontroli opisanych w rozdziale 3 i po określeniu dokładnej pozycji montażu, należy przystąpić do przymocowania akumulatora na wybranej powierzchni, jak pokazano na **rys. 13**. **Pamiętaj** – 2 śruby znajdujące się u dołu powinny zostać użyte tylko wówczas, gdy akumulator ma zostać przymocowany na stałe i nie będzie w przeszłości przenoszony z tego miejsca.

KROK 5 – Prowadzenie przewodów

WAŻNE! – Przewody znajdujące się w wyposażeniu urządzenia muszą być używane wewnątrz budynków i muszą być odpowiednio zabezpieczone. Aby móc je używać również na zewnątrz zastosuj specjalne zabezpieczenie.

Po zamocowaniu panelu i akumulatora, włóż przewód panelu do rury kablowej lub korytka kablowego i poprowadź go aż do akumulatora.

Korzystając z informacji znajdujących się w instrukcji automatyki, zdejmij pokrywę Centrali sterującej. W związku z tym włóż do silownika (w miejscu, gdzie zostały włożone pozostałe przewody) koniec kabla zasilającego z odsłoniętymi przewodami, aż do wysunięcia go z silownika. Na końcu włóż przewód do korytka kablowego (o ile przewidziano) i poprowadź go aż do akumulatora.

Uwaga! – Nie podłączaj kabla zasilającego do centrali; zostaw otwarty dostęp do centrali.

KROK 6 – Montaż gniazdka kablowego na przewodzie panelu fotoelektrycznego

Jeśli przewód jest za długi możesz skrócić go, pamiętając, że żyły muszą być odsłonięte a ich długość musi być taka sama jak długość przedstawiona na poniższym **rys. 20** (**uwaga!** – różnice w długości uniemożliwiają montaż gniazdka kablowego).

Następnie załóż gniazdko kablowe w **kolorze SZARYM** na koniec przewodu panelu, postępując w następujący sposób:

01. Nasuń na przewód poszczególne elementy składające się na gniazdko kablowe, zachowując przy tym porządek przedstawiony na **rys. 7**;

UWAGA! – Nie wprowadzaj zmian w mostku elektrycznym, znajdującym się na złączce (**rys. 8**).

02. Przy użyciu płaskiego śrubokręta, zamocuj na złączce **przewód w kolorze niebieskim na zacisku nr 1** oraz przewód w **kolorze brązowym na zacisku uziemienia (4)** (**rys. 9**):

Pamiętaj – Liczby i symbole referencyjne znajdują się z tyłu złączki, poniżej zacisków.

03. Po przymocowaniu obu przewodów, włóż złączkę do osłony (**rys. 10**).

Ważne – Złączka znajduje się we właściwej pozycji, kiedy symbol uziemienia jest skierowany ku dołowi (patrz **rys. 10**);

04. Następnie odciągnij przewód od gniazdka kablowego i włóż do gniazdka uszczelkę oraz podkładkę (**rys. 11-a-b**). Na zakończenie przy użyciu klucza zaciśnij przelotkę (**rys. 11-c**), zamykając ją hermetycznie.

05. Po połączeniu wtyczki włóż uszczelnienie znajdujące się w wyposażeniu urządzenia od strony podłączenia (**rys. 12**).

KROK 7 – Montaż gniazdka kablowego na przewodzie zasilającym

Jeśli przewód jest za długi możesz skrócić go, pamiętając, że żyły muszą być odsłonięte a ich długość musi być taka sama jak długość przedstawiona na poniższym **rys. 20** (**uwaga!** – różnice w długości uniemożliwiają montaż gniazdka kablowego).

Następnie załóż gniazdko kablowe w **kolorze CZARNYM** na koniec przewodu zasilającego, w następujący sposób:

01. Nasuń na przewód poszczególne elementy składające się na gniazdko kablowe, zachowując przy tym porządek przedstawiony na **rys. 7**;

UWAGA! – Nie wprowadzaj zmian w mostku elektrycznym, znajdującym się na złączce (**rys. 8**).

02. Przy użyciu płaskiego śrubokręta, zamocuj na złączce **przewód w kolorze niebieskim na zacisku nr 1** oraz przewód w **kolorze brązowym na zacisku uziemienia (4)** (**rys. 9**):

Pamiętaj – Liczby i symbole referencyjne znajdują się z tyłu na złączce, poniżej zacisków.

03. Po przymocowaniu obu przewodów, włóż złączkę do osłony (**rys. 10**).

Ważne – Złączka znajduje się we właściwej pozycji, kiedy symbol uziemienia jest skierowany ku dołowi (patrz **rys. 10**);

04. Następnie odciągnij przewód od gniazdka kablowego i włóż do gniazdka uszczelkę oraz podkładkę (**rys. 11-a-b**). Na zakoń-

czeniu przy użyciu klucza zaciśnij przelotkę (rys. 11-c), zamykając ją hermetycznie.

05. Po połączeniu wtyczki włóż uszczelnienie znajdujące się w wyposażeniu urządzenia od strony podłączenia (rys. 12).

KROK 8 – Podłączenie panelu fotoelektrycznego do akumulatora

W celu podłączenia panelu do akumulatora należy wykonać następujące czynności:

01. Połącz gniazdko kablowe w **kolorze SZARYM** z gniazdkiem "IN" na akumulatorze (rys. 14);
02. Przymocuj gniazdko śrubą zabezpieczającą, która znajduje się na wyposażeniu, patrz **rys. 15. Pamiętaj** – Jeśli przewidujesz częste odłączanie gniazdka od akumulatora użyj śruby przedstawionej na **rys. 16-a**. W przeciwnym razie użyj śruby przedstawionej na **rys. 16-b**.

Uwaga! - Podczas ładowania akumulatora w wyniku pobierania energii z panelu fotoelektrycznego czerwona dioda wykonuje 2 krótkie błyski, które będą się powtarzać w odstępach co 5 sekund. Sprawdź, czy ta sygnalizacja jest widoczna podczas, kiedy panel jest oświetlany przez słońce.

KROK 9 – Podłączenie akumulatora do automatyki

W celu podłączenia akumulatora do automatyki należy wykonać następujące czynności:

01. Połącz kontakt "w kształcie fajki" w **kolorze CZARNYM** z kontaktem "OUT" na akumulatorze (rys. 17);
02. Przymocuj kontakt śrubą zabezpieczającą, która znajduje się na wyposażeniu, patrz **rys. 18. Pamiętaj** – Jeśli przewidujesz częste odłączanie kontaktu od akumulatora użyj śruby przedstawionej na **rys. 16-a**. W przeciwnym razie użyj śruby przedstawionej na **rys. 16-b**.
03. Przejdź do centrali sterującej automatyki i włóż wtyczkę przewodu zasilającego do złącza akumulatora buforowego, który znajduje się na Centrali. W celu określenia, o które złącze chodzi zajrzyj do instrukcji automatyki.

Uwaga! - kiedy automayka jest zasilana przez system PF NIE MOŻE ONA BYĆ ZASILANA jednocześnie również z sieci elektrycznej.

— Uwagi ogólne —

WAŻNE – Po podłączenia produktu do automatyki, instalacja może nie być od razu gotowa do pracy. Wynika to z faktu, że akumulator może być rozładowany w następstwie zwykłego procesu samoczynnego rozładowywania, który następuje również wówczas, gdy produkt jest przechowywany w magazynie. W takiej sytuacji możliwe są dwa wyjścia:

- A) Odłącz akumulator od Centrali sterującej automatyki i poczekaj kilka dni, aby panel fotoelektryczny mógł odebrać wystarczającą ilość światła słonecznego, potrzebną do naładowania akumulatora;
- B) Przystąp do szybkiego ładowania akumulatora, wykorzystując do tego zasilacz awaryjny mod. PBC (opcjonalnie).

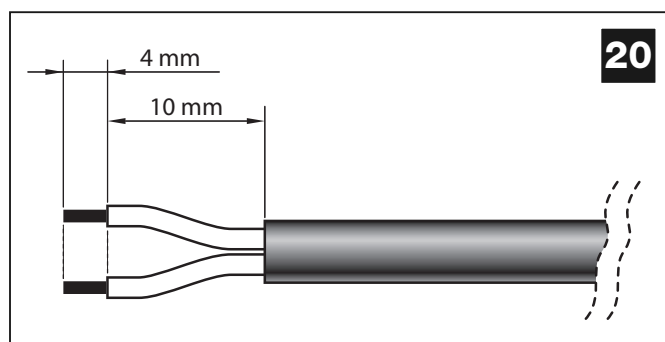
— Sygnalizacje świetlne i akustyczne —

W systemie zasilania PF występuje dioda i sygnalizator akustyczny.

- Podczas ładowania akumulatora, (podczas, kiedy pobiera on energię z panelu fotoelektrycznego lub z prostownika), czerwona dioda wykonuje 2 krótkie błyski, które powtarzają się co 5 sekund. Po zamontowaniu panelu sprawdź, czy ta sygnalizacja jest widoczna podczas, kiedy jest on oświetlany przez słońce.
- Po zakończeniu ładowania z zastosowaniem prostownika dioda będzie się nadal świecić światłem stałym.
- Kiedy akumulator jest rozładowany czerwona dioda wykonuje 1 krótki błysk w odstępach co 5 sekund, któremu towarzyszy sygnał akustyczny.

— Uwagi dotyczące użytkowania —

- **Nie zostawiaj NIGDY akumulatora podłączonego do automatyki, jeżeli panel fotoelektryczny nie jest podłączony i nie funkcjonuje prawidłowo.**
Uwaga! - Jeżeli akumulator nie jest odpowiednio naładowany wyczerpuje on swój zapas energii w ciągu kilku dni.
- Jeżeli automat nie będzie używany przez dłuższy okres czasu zaleca się rozłączyć złącza automatu oraz panelu fotoelektrycznego od akumulatora i przechowywać je w miejscu chłodnym i suchym.



- **Centrala sterująca automatyką nie włącza się a dioda nie wykonuje żadnej sygnalizacji.**

Taka sytuacja może być spowodowana błędnym podłączeniem lub źle włożonymi żyłami elektrycznymi. Przyczyną może być też całkowicie rozładowany akumulator, który nie jest w związku w tym w stanie przekazać żadnego sygnału: w takiej sytuacji należy wykonać szybkie ładowanie akumulatora, wykorzystując do tego zasilacz (mod. PBC) lub poczekać aż prawidłowo podłączony panel fotoelektryczny rozpocznie ładować akumulator.

- **Akumulator rozładowuje się zbyt szybko.**

Może to zależeć od nadmiernego zesterzenia się akumulatora, dlatego też zalecana jest jego wymiana. Przyczyną może też być zbyt intensywne użytkowanie automatyki, przekraczające ograniczenia eksploatacyjne opisane w niniejszej instrukcji w rozdziale 3.

Ponadto taka sytuacja może być również powodowana przez automatykę, która nie została przewidziana do użytku z systemem zasilania PF, siłownik nieprawidłowo skonfigurowany dla niskiego zużycia energii lub też w przypadku podłączenia do niego zbyt dużej ilości akcesoriów.

- **Akumulator nie doładowuje się.**

Taka sytuacja może być spowodowana nieprawidłowym działaniem panelu fotoelektrycznego w wyniku błędnego montażu. Przyczyną może być też błędne podłączenie przewodów lub nieprawidłowe działanie akumulatora.

KONSERWACJA OKRESOWA

Produkt nie wymaga żadnej specjalnej konserwacji, jednak przeprowadzanie regularnej kontroli pozwala na utrzymanie wydajności instalacji.

W celu wykonania prawidłowej konserwacji, należy co 6 miesięcy sprawdzać czy panel fotoelektryczny nie jest zabrudzony (liśćmi, piaskiem, itd), co mogłoby wpłynąć na zmniejszenie jego wydajności. Ponadto należy sprawdzać czy nie nadszedł czas wymiany akumulatora, który w wyniku starzenia się może z czasem zmniejszać swoją autonomię pracy.

Na trwałość akumulatora wpływają natomiast przede wszystkim wysokie letnie temperatury, które przyspieszają starzenie się poszczególnych komponentów. Zazwyczaj średnia trwałość akumulatora wynosi około 4-5 lat. Zależy ona także od intensywności użytkowania automatyki – idealnym rozwiązaniem jest niedopuszczenie do

zbyt dużego rozładowania akumulatora, co może nastąpić na przykład w wyniku przeprowadzania przez dłuższy czas następujących kolejno po sobie manewrów.

UWAGA – Ewentualna wymiana akumulatora może zostać przeprowadzona wyłącznie przez doświadczony i wykwalifikowany personel.

UTYLIZACJA

Utylizacja produktu

Produkt ten stanowi integralną część automatyki i w związku z tym musi być zutylizowany razem z nią.

Podobnie jak w przypadku montażu, również czynności związane z demontażem muszą być wykonane przez wykwalifikowany personel techniczny.

Produkt ten składa się z różnego rodzaju materiałów, niektóre z nich mogą być powtórnie użyte, inne muszą zostać poddane utylizacji. Zasięgnij informacji odnośnie systemów recyklingu i utylizacji, przewidzianych zgodnie z lokalnymi przepisami obowiązującymi dla tej kategorii produktu.

Uwaga! Niektóre elementy produktu mogą zawierać substancje szkodliwe lub niebezpieczne, które po wyrzuceniu, mogłyby zaszkodzić środowisku lub zdrowiu ludzkiemu.

Zgodnie ze wskazaniem symbolu obok, zabrania się wyrzucania tego produktu do odpadów domowych. Należy przeprowadzić "segregację odpadów" na potrzeby utylizacji, według metod przewidzianych lokalnymi przepisami lub zwrócić produkt sprzedawcy podczas zakupu nowego, równorzędnego produktu.



Ponadto produkt zawiera akumulator ołowiowy – jest to materiał bardzo silnie zanieczyszczający i musi zostać poddany prawidłowej utylizacji. Demontaż i utylizacja akumulatora muszą zostać przeprowadzone w sposób opisany w punkcie "Utylizacja akumulatora".

Uwaga! Lokalne przepisy mogą przewidywać poważne sankcje w

przypadku nielegalnej utylizacji produktu.

Utylizacja akumulatora

Uwaga! – Akumulator zawiera szkodliwe substancje i w związku z tym, po demontażu nie może zostać wrzucony do odpadów komunalnych. Trzeba go poddać utylizacji lub recyklingowi korzystając z metod przewidzianych przez lokalne normy.

DANE TECHNICZNE POSZCZEGÓLNYCH CZĘŚCI PRODUKTU

UWAGI: • PF jest produkowany przez firmę Nice S.p.a. (TV) Włochy. **Mhouse** jest marką firmy Nice S.p.a. • Wszystkie dane techniczne dotyczą temperatury otoczenia 20°C (± 5°C) • Nice S.p.a. zastrzega sobie prawo dokonywania zmian w produkcie w każdej chwili, gdy uzna to za stosowne, zachowując jego funkcjonalność i przeznaczenie użytkowania. • Oszacowana minimalna ilość manewrów dziennie obowiązuje wyłącznie w przypadku zastosowania panelu fotoelektrycznego ustawionego prawidłowo w warunkach opisanych w rozdziale 3 pod hasłem "Ograniczenia zastosowania".

AKUMULATOR PB

OPIS	DANE
Napięcie znamionowe:	24 V ---
Prąd maksymalny:	10 A
Znamionowa pojemność akumulatora:	20 Ah
Stopień ochrony:	IP 44
Temperatura pracy:	od -20°C do +50°C (kiedy ładuje się i korzysta z zasilacza awaryjnego: od 0°C do +40°C)
Czas pełnego ładowania:	15 ore circa (przy użyciu zasilacza awaryjnego)
Wymiary:	258 mm x 235 mm x 180 mm
Masa:	14 kg

Pamiętaj – Akumulatory stosowane w PB należą do rodzaju VRLA, "Valve Regulated Lead Acid Batteries" a więc są to akumulatory hermetyczne, regulowane zaworem, które odpowiadają dyspozycji A67 Regulacji IATA/ICAO o niebezpiecznych towarach. Zgodnie z powyższym PB i PF nie są uznawane za towar niebezpieczny i mogą być przewożone bez żadnego ryzyka drogą lotniczą, morską lub transportem drogowym.

PANEL FOTOELEKTRYCZNY PC

OPIS	DANE
Napięcie znamionowe:	24 V ---
Moc maksymalna:	10 W
Temperatura pracy:	od -40°C do +85°C
Wymiary:	354 mm x 290 mm x 28 mm
Masa:	1,4 Kg

Ostrzeżenie – Szkło, znajdujące się na panelu fotoelektrycznym wytrzymuje grad oraz uderzenia wywołane obiektami średniej wielkości (jest odporny na uderzenie kulki stalowej o wadze 227 g, która spada z wysokości 1 m.). W przypadku szczególnie silnego gradu lub szczególnie silnych uderzeń, istnieje ryzyko rozbicia szkła. W takiej sytuacji należy zwrócić się do Serwisu Technicznego Mhouse.

DEKLARACJA ZGODNOŚCI CE

Uwaga - Zawartość niniejszej deklaracji odpowiada oświadczeniom znajdującym się w dokumencie urzędowym, złożonym w siedzibie firmy Nice S.p.a., a w szczególności w ostatniej korekcie dostępnej przed wydrukowaniem tej instrukcji. Tekst w niej zawarty został dostosowany w celach wydawniczych.

PF został wyprodukowany przez firmę NICE S.p.a. (TV) Włochy. Mhouse to marka firmy Nice S.p.a.

Numer: 304/PF

Wersja: 0

Niżej podpisany Luigi Paro, pełniący funkcję Prezesa Zarządu, deklaruje z pełną odpowiedzialnością, że produkt:

Nazwa producenta: NICE s.p.a.

Adres: Via Pezza Alta 13, Z.I. Rustignè, 31046 Oderzo (TV) Włochy

Typ: Zestaw zasilania słonecznego Mhouse

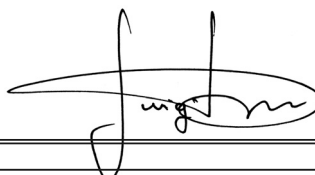
Modele: PF

Akcesoria: PBC

jest zgodny z założeniami następujących dyrektyw unijnych:

- 2006/95/EWG (ex dyrektywa 73/23/WE) DYREKTYWA 2006/95/WE PARLAMENTU EUROPEJSKIEGO I RADY z dnia 12 grudnia 2006 w sprawie zbliżenia ustawodawstw Państw Członkowskich odnoszących się do sprzętu elektrycznego przewidzianego do stosowania w określonych granicach napięcia, zgodnie z następującymi normami zharmonizowanymi: EN 60335-1:2002 + A1:2004 + A11:2004 + A12:2006 + A2:2006
- 2004/108/EWG (ex dyrektywa 89/336/EWG) DYREKTYWA 2004/108/WE PARLAMENTU EUROPEJSKIEGO I RADY z dnia 15 grudnia 2004 w sprawie zbliżenia ustawodawstw Państw Członkowskich odnoszących się do kompatybilności elektromagnetycznej i która znosi dyrektywę 89/336/EWG, zgodnie z następującymi normami: EN 61000-6-2:2005; EN 61000-6-3:2007

Oderzo, dnia 11 marca 2009 roku



Luigi Paro (Członek Zarządu Spółki)

Het ontwerp, de fabricage van de inrichtingen waaruit het product bestaat en de informatie uit deze handleiding zijn volledig in overeenstemming met de geldende veiligheidsvoorschriften. Desondanks kan een onjuiste installatie ernstig letsel toebrengen aan de personen die het werk verrichten en aan de personen die de installatie zullen gebruiken. Om deze reden is het belangrijk dat gedurende de installatie alle aanwijzingen uit deze handleiding nauwgezet worden opgevolgd.

Als u twijfels van welke aard dan ook koestert, het product niet installeren en u voor eventuele toelichtingen tot de Klantenservice van Mhouse wenden.

WERK IN VEILIGE CONDITIES!

Let op – Voor de veiligheid van de betrokken personen is het belangrijk deze aanwijzingen op te volgen.

Let op – Belangrijke aanwijzingen voor de veiligheid, bewaar deze aanwijzingen deze zullen u tot hulp zijn bij eventuele toekomstige onderhoudswerkzaamheden of de vernietiging van het afgedankte product.

Neem de volgende aanbevelingen in acht:

- voer uitsluitend de in deze handleiding voorziene elektrische aansluitingen uit: een onjuiste totstandbrenging van de aansluitingen kan ernstige schade aan het systeem veroorzaken.
- De bijgeleverde kabels moeten binnenshuis, in beschermd

ruimtes worden gebruikt. Om de kabels buitenshuis te kunnen gebruiken, moeten deze met geschikte beschermkanalen worden beschermd.

- kom niet met metalen voorwerpen aan de contacten van de connectors op de accumulator.

Gezien de gevaarlijke situaties die zich gedurende de installatie en het gebruik van het product kunnen voordoen, is het noodzakelijk de inrichtingen die in de verpakking zitten te installeren met inachtneming van de volgende aanbevelingen:

- voer geen andere wijzigingen uit op delen van de inrichtingen dan welke voorzien zijn in deze handleiding. Niet-toegestane handelingen zullen slechts storingen in de werking veroorzaken. De fabrikant aanvaardt geen aansprakelijkheid voor schade die het gevolg is van op willekeurige wijze gewijzigde producten.
- plaats de inrichtingen niet in de buurt van warmtebronnen en stel ze niet bloot aan open vuur. Een dergelijke handelswijze kan de inrichtingen beschadigen, storingen, brand en gevaarlijke situaties veroorzaken.
- vermijd onderdompeling van de inrichtingen in water of andere vloeibare substanties. Zorg ervoor dat er gedurende de installatie geen vloeistoffen in het binnenste van de inrichtingen kunnen dringen.
- het verpakkingsmateriaal van het product moet overeenkomstig de plaatselijk van kracht zijnde voorschriften als afval worden verwerkt.

KENNIS VAN HET PRODUCT EN VOORBEREIDING OP DE INSTALLATIE

HOOFDSTUK 1 – BESCHRIJVING EN GEBRUIKSBESTEMMING

PF is een voedingssysteem op zonne-energie bestemd voor de automatiseringen van Mhouse voor garagepoorten- en deuren, zonneweringen en dergelijke producten (afb. 1).

Leder ander gebruik dient als oneigenlijk te worden beschouwd! De fabrikant is niet aansprakelijk voor schade die het gevolg is van een oneigenlijk gebruik van het product, dat afwijkt van het gebruik dat in deze handleiding is voorzien.

Dit systeem maakt, om een automatisering van stroom te voorzien, uitsluitend gebruik van zonne-energie, zonder hulp van een aansluiting op het elektriciteitsnet.

Het systeem is in staat om op continue en permanente wijze elektrische energie te leveren en kan op iedere willekeurige plaats worden ingezet (bijvoorbeeld, voor het automatiseren van een poort die zich ver van het elektriciteitsnet bevindt).

Het systeem bestaat uit een zonnepaneel en een accumulator van elektrische energie:

- het **zonnepaneel** is een inrichting die in staat is de zonne-energie rechtstreeks om te zetten in elektrische energie.

- de **accumulator** is een inrichting die de elektrische energie, die gedurende de zonuren door het zonnepaneel is geproduceerd, opslaat en deze op ieder uur van de dag beschikbaar stelt, ook op dagen met slecht weer. Een Led op de voorkant en een interne *buzzer* signaleren de verschillende ladings- of ontladingstoestanden van de interne batterij.

Op de achterkant van de accumulator bevinden zich 4 gaten voor bevestiging aan de wand. De accumulator kan zowel vast en permanent gemonteerd worden als met haken, die verwijdering en transport ervan toelaten. Om dit laatste te vergemakkelijken, zijn er een handgreep en twee splitsbare verbindingstukken aanwezig, om paneel en automatisering snel van elkaar te kunnen koppelen.

HOOFDSTUK 2 – COMPONENTEN VOOR HET TOT STAND BRENGEN VAN EEN COMPLEET STROOMVOORZIE- NINGSYSTEEM

Op **afb. 2** staan alle componenten die nodig zijn voor het tot stand

brengen van een compleet stroomvoorzieningsysteem. De componenten zijn:

- Zonnepaneel mod. PC;
- Beugel voor de bevestiging van het zonnepaneel;
- Metalen bevestigingsonderdelen (schroeven, ringen, etc.);
- Elektrische energieaccumulator mod. PB;
- Voedingskabel voor de verbinding tussen de accumulator en een automatisering;
- “Pipet” aansluitingen;
- Schroeven voor de bevestiging van de “pipet” aansluiting.

• **Optionele accessoires (niet aanwezig in de verpakking)**

PF staat volledige energetische autonomie van de installatie alleen toe op voorwaarde dat het product in overeenstemming met de in hoofdstuk 3 beschreven limieten wordt gebruikt.

Als deze limieten overschreden worden, – bijvoorbeeld als gevolg van een intensief gebruik van de automatisering, – kan het gebeuren dat de opgeslagen energie opraakt.

Voor deze gevallen is een voedingseenheid voorhanden, model PBC, die provisorisch op het elektriciteitsnet kan worden aangesloten om de accumulator snel weer op te laden.

HOOFDSTUK 3 – CONTROLES VOORAFGAAND AAN DE INSTALLATIE EN GEBRUIKSLIMIETEN VAN HET PRODUCT

Om vast te stellen of de PF geschikt is voor de automatisering die van stroom moet worden voorzien, dient u de in dit hoofdstuk beschreven controles uit te voeren.

Controleer daarnaast in het hoofdstuk “Technische kenmerken van het product” of de technische gegevens van de PF geschikt zijn voor het voorziene gebruik en controleer in de instructiehandleiding (of in de addendums) van de automatisering of deze kan werken met de PF. **Let op!** - Het feit dat er een connector voor batterijstroomtoevoer aanwezig is, wil niet zeggen dat het product compatibel is. De producten die compatibel zijn met PF werden expliciet ontwikkeld om het energieverbruik bij stilstande automatisering tot het minimum te beperken, terwijl een niet geoptimaliseerd product, ook als dit een laag stroomverbruik heeft, ook in stilstande toestand riskeert een

groot deel van de door het paneel van de PF geproduceerde energie te verbruiken.

Bepaal in de buurt van de automatisering die van stroom moet worden voorzien het meest geschikte punt om het zonnepaneel en de accumulator te installeren, en houdt hierbij rekening met de volgende punten:

- a) de gebruikslimieten die in dit hoofdstuk zijn beschreven;
- b) de lengte van de voedingskabel (3 m) en van de kabel van het zonnepaneel (3 m);
- c) de beschikbare ruimte in de nabijheid van de automatisering die van stroom moet worden voorzien.

Voer daarnaast de volgende controles uit:

- d) controleer of de oppervlakken die gekozen zijn om de twee inrichtingen te monteren stevig zijn en een stabiele bevestiging kunnen garanderen.
- e) controleer of elk van de te installeren inrichtingen in een tegen stoten beschermde positie wordt opgesteld.
- f) controleer voor elke inrichting de volgende punten:

Zonnepaneel

Verzekert u ervan dat de plaats die is gekozen voor de installatie van het paneel het hele jaar rond 100% direct zonlicht (volle zon) garandeert. Het paneel dient in het bijzonder ver uit de buurt te worden geplaatst van planten of bomen, muren of andere zaken die schaduw op het paneeloppervlak kunnen werpen. **Let op! – het gevoelige oppervlak moet op ieder punt en op directe wijze door de stralen van de zon worden verlicht; een gedeeltelijke schaduw, ook al is die maar klein (bijvoorbeeld veroorzaakt door een blad of dergelijke), zal leiden tot een vermindering van de energetische capaciteit van het paneel.**

Verzekert u er bovendien van dat het, na de installatie, mogelijk is het paneel in de juiste **richting** en **hoek** te zetten, volgens de aanwijzingen uit hoofdstuk 5.

Accumulator

Om een optimaal rendement en lange levensduur van de accumulator te verkrijgen, verdient het de voorkeur deze op te stellen op een punt dat bescherming biedt tegen hoge zomerse en lage winterse temperaturen.

Het **rendement van de accumulator** is namelijk afhankelijk van de temperatuur van de omgeving waar deze opgesteld is; de efficiëntie is optimaal rond de 20°C en loopt terug bij temperaturen onder de nul.

Een lange levensduur van de accumulator **wordt daarentegen vooral** beïnvloed door hoge zomerse temperaturen (boven de 40°C), die de veroudering van de onderdelen versnellen. De gemiddelde levensduur bedraagt normaal gesproken circa 4-5 jaar; dit is ook afhankelijk van hoe intensief de automatisering gebruikt wordt. Ideaal is de accumulator niet teveel leeg te laten lopen als gevolg van snel opeenvolgende en lange manoeuvres.

• Gebruikslimieten: maximaal aantal mogelijke cycli per dag, in een bepaalde periode van het jaar

PF verzekert aan de installatie die hij van stroom voorziet volledige autonomie zo lang de gemiddelde energie die door het zonnepaneel wordt geproduceerd (die in verhouding staat tot de geleverde zonne-energie) hoger blijft dan het energieverbruik van de automatisering. Aan de hand van een eenvoudige berekening is het mogelijk een schatting te maken van het maximaal aantal cycli per dag dat de automatisering in een bepaalde periode van het jaar kan uitvoeren, zo lang deze energetische balans positief blijft.

Het eerste deel van de berekening (de **beschikbare energie**) wordt in dit hoofdstuk behandeld; het tweede deel van de berekening (de **verbruikte energie**, d.w.z. het maximaal aantal cycli per dag) wordt behandeld in het betreffende hoofdstuk in de handleiding van de automatisering.

Let op! - Niet alle door Mhouse geproduceerde automatiseringen zijn compatibel met PF. Als in de instructiehandleiding (of in de addenda's) van de automatisering geen hoofdstuk is voor de berekening van het maximaal aantal cycli dat met de door de PF geleverde energie verkregen kan worden, betekent dit dat de automatisering niet compatibel is.

Bepalen hoeveel energie er beschikbaar is in een bepaalde periode van het jaar

Om te bepalen hoeveel energie er beschikbaar is in een bepaalde periode van het jaar, gaat u als volgt te werk (de berekening houdt reeds rekening met de efficiëntie van het zonnepaneel en het rendement van de accumulator):

- 01.** Op **afb. 19** ziet u de gemiddelde hoeveelheid zonne-energie die in de loop van de jaar op de aarde wordt uitgestraald. De 7 gemarkeerde gebieden geven aan dat de hoeveelheid energie van gebied tot gebied verschillend is, dit is te wijten factoren als de breedtegraad, aan- of afwezigheid van bewolking etc.
— Zoek op **afb. 19** de waarde "**Ea**" van de gemiddelde energie die beschikbaar is in het gebied waar u woont, en zoek ook de graden van de **breedtegraad** waarop uw gebied zich bevindt.
- 02.** Naast de voor uw gebied gevonden waarde "Ea" dient u ook het variabele verloop van de energie in de verschillende periodes van het jaar in beschouwing te nemen. In de opeenvolging van de seizoenen zal er meer of minder energie beschikbaar zijn (zie de krommen van de **grafieken AA** en **BB**): in de maanden met de meeste zon (de zomermaanden) is er veel meer energie beschikbaar dan in de wintermaanden; dit verschil is minder uitgesproken in de gebieden die dicht bij de evenaar liggen en meer uitgesproken in de gebieden die dicht bij de aardpolen liggen.
— Als u wilt weten wat het **laagste aantal** manoeuvreercycli per dag is, kiest u in de **grafiek AA** (voor de gebieden ten noorden van de evenaar) of in de **grafiek BB** (voor de gebieden ten zuiden van de evenaar) de **kromme** die betrekking heeft op uw breedtegraad en de **periode** van het jaar met de minste zon (dit komt overeen met het laagste punt van de kromme). Kruis tot slot de twee gegevens met elkaar, zoals in het voorbeeld in de grafiek, om de waarde "**Am**" te verkrijgen (zonnestraling in een bepaalde periode).
- 03.** Op dit punt berekent u de waarde "**Ed**", d.w.z. de energie die in uw gebied in die periode van het jaar beschikbaar is, door de gegevens als volgt te vermenigvuldigen: **Ea x Am = Ed**.
- 04.** Om tot slot het **maximaal aantal mogelijke cycli per dag te verkrijgen, voor de gekozen periode**, gaat u verder met de berekening en gebruikt u het gevonden gegeven "**Ed**" (beschikbare energie) en de in het betreffende hoofdstuk van de handleiding van de automatisering gegeven aanwijzingen.

Waarschuwing - Als het zonnepaneel gedurende de dag voor een deel van de tijd in de schaduw blijft (met name tussen 10.00 uur en 14.00 uur), neemt de beschikbare energie af in functie van het aantal uren dat er geen blootstelling aan de zon was.

HOOFDSTUK 4 – OPRAKEN VAN DE ELEKTRISCHE LADING VAN DE ACCUMULATOR

In het vorige hoofdstuk werd beschreven hoe u het maximaal aantal mogelijke cycli per dag van de automatisering kunt berekenen. Dit is een schatting op de basis van de energie die in de loop van het jaar gemiddeld beschikbaar is. Indien zich er een lange periode met bijzonder slecht weer voordoet, of het in verband met speciale omstandigheden nodig is om meer manoeuvres uit te voeren dan is toegestaan, kan het voorkomen dat de opgeslagen energie opraakt.

Wanneer dit gebeurt, signaleert de Led op de accumulator dat de batterij leeg is door cyclisch knipperen (steeds 1 maal) van de Led (met tussenpozen van circa 5 seconden) en met de Led gesynchroniseerde "pieptonen": deze signalering kan tijdelijk of permanent zijn. In beide gevallen moet de accumulator op één van de volgende manieren worden opgeladen:

A) voer een snelle oplaadcyclus van de accumulator uit met behulp van de als optioneel accessoire verkrijgbare voedingseenheid mod. PBC;

B) beperk het gebruik van de automatisering in afwachting van betere weerscondities, die heropladen van de accumulator via het zonnepaneel toe zullen laten. In beide omstandigheden stopt de waarschuwing "**lege batterij**" wanneer het systeem een elektrische autonomie bereikt die volstaat om de automatisering te kunnen laten functioneren.

HOOFDSTUK 5

STAP 1 – Montage van de draagbeugel van het zonnepaneel

Monteer alle componenten van de draagbeugel op de achterkant van het paneel, zoals te zien is op **afb. 3**.

Let op! – De positie van de beugel achter het paneel (**afb. 3-b**) is afhankelijk van het soort positie waarin het paneel bevestigd zal worden. Om de bevestigingspositie te kiezen, zie **afb. 6**.

STAP 2 – Opstelling van het zonnepaneel

Let op! – Voor een goede functionering van het paneel is het noodzakelijk dat dit met de grootst mogelijke precisie op het gekozen punt wordt geplaatst. Nadat u de in hoofdstuk 3 beschreven controles heeft uitgevoerd, de volgende aanwijzingen nauwgezet opvolgen: in principe moet het paneel zodanig worden geplaatst dat het gedurende de dag en door het jaar heen zoveel mogelijk zonlicht ontvangt. Dit betekent dat de richting van het paneel op het horizontale vlak en de helling ervan op het verticale vlak berekend moeten worden in functie van de plaats van installatie van het paneel.

• **Bepaal de juiste richting van het paneel op het horizontale vlak** door als volgt te werk te gaan:

- Bepaal op de plaats van installatie met behulp van een kompas of een landkaart waar het **NOORDEN** en het **ZUIDEN** liggen.
- Richt het paneel vervolgens naar het **NOORDEN** of het **ZUIDEN**, op basis van de volgende overwegingen:

- als de plaats van installatie zich in een land ten noorden van de evenaar (Verenigde Staten; Europa; Rusland etc.) bevindt, moet het paneel **exact in ZUIDELIJKE richting** worden gedraaid;
- als de plaats van installatie zich in een land ten zuiden van de evenaar (Latijns Amerika; Australië; Indonesië etc.) bevindt, moet het paneel **exact in NOORDELIJKE richting** worden gedraaid.

Zie voor meer duidelijkheid **afb. 4**.

• **Bepaal de juiste richting van het paneel op het verticale vlak** door als volgt te werk te gaan:

Er rekening mee houdend dat het maximale rendement van het paneel bij voorkeur verkregen moet worden in de winterperiode, wanneer er minder energie beschikbaar is dan in de zomer, dient het paneel in een zodanige hoek te worden gericht dat het de zonnestralen loodrecht (frontaal) op het gevoelige oppervlak ontvangt. Deze hoek correspondeert met de breedtegraad van de plaats en kan op een willekeurige landkaart worden afgelezen: zo is de breedtegraad van Madrid bijvoorbeeld 40°; die van Venetië 45°; die van Londen circa 50° etc. Zie voor meer duidelijkheid **afb. 5**.

STAP 3 – Bevestiging van het zonnepaneel op het gekozen punt

Na de positie van het paneel exact bepaald te hebben, dient u het paneel vast te zetten op het gekozen oppervlak, zoals te zien is op **afb. 6**.

STAP 4 – Bevestiging van de accumulator op het gekozen punt

Na de in hoofdstuk 3 beschreven controles te hebben uitgevoerd en de positie van de accumulator exact te hebben bepaald, dient u de accumulator vast te zetten op het gekozen oppervlak, zoals te zien is op **afb. 13**. **Opmerking** – gebruik de 2 aan de onderkant geplaatste schroeven alleen als u de accumulator vast wilt installeren, deze kan dan niet meer verwijderd worden.

STAP 5 – Doorvoer van de kabels

BELANGRIJK! – De bijgeleverde kabels moeten binnenshuis, in beschermde ruimtes worden gebruikt. Om de kabels buitenshuis te kunnen gebruiken, moeten deze met geschikte beschermkanalen worden beschermd.

Na het paneel en de accumulator te hebben bevestigd, voert u de kabel van het paneel door de buis of het beschermkanaal tot aan de accumulator.

Raadpleeg de instructiehandleiding van de automatisering die van stroom voorzien moet worden en verwijder het beschermdeksel van de besturingseenheid. Voer vervolgens het uiteinde van de voedingskabel met gestripte draden door de automatisering (waar de andere kabels lopen) en laat hem uit de automatisering komen, via de hiervoor bestemde kabeldoorvoer. Voer de kabel tot slot door de eventuele beschermgoot tot aan de accumulator.

Let op! – Sluit de voedingskabel niet aan op de besturingseenheid; laat de toegang tot de besturingseenheid open.

STAP 6 – Montage van de “pipet” aansluiting op de kabel van het zonnepaneel

Als de kabel te lang is, kunt u hem inkorten, waarbij u de draden zoveel afstript dat de lengte ervan gelijk is aan de lengte die is aangegeven op de **afb. 20** (**let op!** – *afwijkende lengtes leveren problemen op bij de latere montage van de aansluiting*).

Ga daarna als volgt te werk om de **GRIJZE** “pipet” aansluiting op het uiteinde van de kabel van het paneel te monteren:

- Schuif de verschillende elementen van de aansluiting op de kabel, in de volgorde die is aangegeven op afb. 7;

LET OP! – De elektrische geleidingsbrug op de connector (**afb. 8**) mag niet gewijzigd worden.

- Bevestig met behulp van een rechte schroevendraaier de **blauwe draad op klem nr. 1** en de **bruine draad op de klem van de aardverbinding (4)** (**afb. 9**) op de connector:

Opmerking – De referentienummers en –symbolen zijn op de connector gedrukt, aan de onderkant ten opzichte van de klemmen en op de tegenoverliggende zijde.

- Na de twee draden te hebben vastgezet, dient u de connector in zijn bescherming (**afb. 10**) te plaatsen.

Belangrijk – De correcte positie van de connector is met het symbool van de aardverbinding naar beneden toe (zie **afb. 10**);

- Trek vervolgens de kabel naar de buitenkant van de aansluiting toe en installeer de afdichting en de ring (**afb. 11-a-b**). Schroef tot slot de kabeldoorvoer (**afb. 11-c**) vast met behulp van een sleutel, zodat er een compleet hermetische sluiting wordt verkregen.

- Na de aansluiting gemonteerd te hebben, plaatst u op de aansluitzijde hiervan de bijgeleverde afdichting (**afb. 12**).

STAP 7 – Montage van de “pipet” aansluiting op de voedingskabel

Als de kabel te lang is, kunt u hem inkorten, waarbij u de draden zoveel afstript dat de lengte ervan gelijk is aan de lengte die is aangegeven op de **afb. 20** (**let op!** – *afwijkende lengtes leveren problemen op bij de latere montage van de aansluiting*).

Ga daarna als volgt te werk om de **ZWARTE** “pipet” aansluiting op het uiteinde van de voedingskabel te monteren:

- Schuif de verschillende elementen van de aansluiting op de kabel, in de volgorde die is aangegeven op afb. 7;

LET OP! – De elektrische geleidingsbrug op de connector (**afb. 8**) mag niet gewijzigd worden.

- Bevestig met behulp van een rechte schroevendraaier de **blauwe draad op klem nr. 1** en de **bruine draad op de klem van de aardverbinding (4)** (**afb. 9**) op de connector:

Opmerking – De referentienummers en –symbolen zijn op de connector gedrukt, aan de onderkant ten opzichte van de klemmen en op de tegenoverliggende zijde.

- Na de twee draden te hebben vastgezet, dient u de connector in zijn bescherming (**afb. 10**) te plaatsen.

Belangrijk – De correcte positie van de connector is met het symbool van de aardverbinding naar beneden toe (zie **afb. 10**);

- 04.** Trek vervolgens de kabel naar de buitenkant van de aansluiting toe en installeer de afdichting en de ring (**afb. 11-a-b**). Schroef tot slot de kabeldoorvoer (**afb. 11-c**) vast met behulp van een sleutel, zodat er een compleet hermetische sluiting wordt verkregen.
- 05.** Na de aansluiting gemonteerd te hebben, plaatst u op de aansluitzijde hiervan de bijgeleverde afdichting (**afb. 12**).

STAP 8 – Aansluiting van het zonnepaneel op de accumulator

Om het paneel aan te sluiten op de accumulator gaat u als volgt te werk:

- 01.** Sluit de **GRIJZE** "pipet" aansluiting aan op de "IN" aansluiting op de accumulator (**afb. 14**);
- 02.** Zet de aansluiting vast met de bijgeleverde veiligheidsschroef, zie **afb. 15**. **Opmerking** – *Als u voorziet dat de aansluiting vaak van de accumulator zal worden losgemaakt, gebruikt u de schroef van **afb. 16-a**. In het andere geval gebruikt u de schroef van **afb. 16-b**.*

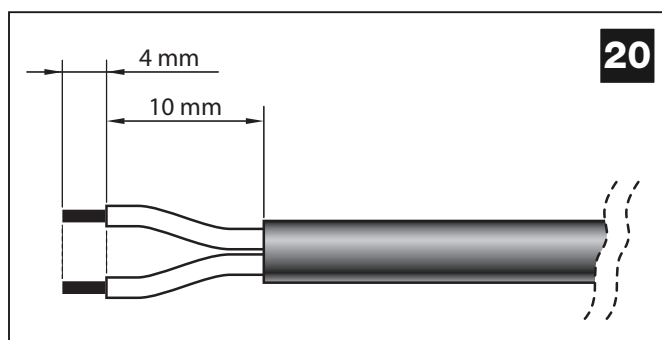
Let op! - Wanneer de accumulator zich aan het opladen is via het zonnepaneel, zal de rode Led iedere 5 seconden 2 maal kort knippen. Controleer of deze signalering ook aanwezig is wanneer het paneel verlicht wordt door de zon.

STAP 9 – Aansluiting van de accumulator op de automatisering

Om de accumulator aan te sluiten op de automatisering gaat u als volgt te werk:

- 01.** Sluit de **ZWARTE** "pipet" aansluiting aan op de "OUT" aansluiting op de accumulator (**afb. 17**);
- 02.** Zet de aansluiting vast met de bijgeleverde veiligheidsschroef, zie **afb. 18**. **Opmerking** – *Als u voorziet dat de aansluiting vaak van de accumulator zal worden losgemaakt, gebruikt u de schroef van **afb. 16-a**. In het andere geval gebruikt u de schroef van **afb. 16-b**.*
- 03.** Open de besturingseenheid van de automatisering en steek de connector van de voedingskabel in de aansluiting van de bufferbatterij op de eenheid. *Om deze aansluiting te vinden, raadpleegt u de instructiehandleiding van de automatisering die van stroom voorzien moet worden.*

Let op! - wanneer de automatisering van stroom wordt voorzien door de PF, kan en **MAG DEZE NIET** tegelijkertijd ook door het elektriciteitsnet gevoed worden.



— Algemene opmerking —

BELANGRIJK – Het is mogelijk dat na de aansluiting van het product op de automatisering de installatie niet meteen operationeel is; dit hangt af van het feit dat de accumulator mogelijk leeg is als gevolg van het normale zelfontladingsproces dat in de loop van de tijd plaatsvindt, ook wanneer het product in het magazijn is opgeslagen. In dit geval kunt u twee dingen doen:

A) Koppel de accumulator los van de besturingseenheid van de automatisering en wacht enkele dagen tot het zonnepaneel voldoende zonlicht heeft ontvangen om de accumulator weer op te laden;

B) Voer een snelle en complete oplaadcyclus van de accumulator uit met behulp van de noodvoedingseenheid mod. PBC (optioneel accessoire).

— Licht- en geluidsignalen —

De PF is uitgerust met een Led en een buzzer.

- Wanneer de accumulator aan het opladen is (via zonnepaneel of oplader), zal de rode led iedere 5 seconden 2 maal kort knippen. Controleer of deze signalering ook na de installatie, wanneer het paneel verlicht wordt door de zon, aanwezig is.
- Wanneer de accumulator klaar is met het opladen via de batterijlader, blijft de Led vast branden.
- Wanneer de accumulator leeg is, zal de rode Led iedere 5 seconden 1 maal kort knippen, dit gaat vergezeld van een geluidssignaal.

— Opmerkingen voor het gebruik —

- **Laat de accumulator NOOIT aangesloten op de automatisering als niet ook het zonnepaneel aangesloten is en correct werkt.**

Let op! - Als de accumulator niet goed wordt opgeladen, zal zijn energiereserve binnen enkele dagen opraken.

- **Als de automatisering voor lange tijd niet gebruikt zal worden, wordt aanbevelen de connectors van de automatisering en van het zonnepaneel los te maken van de accumulator en de accumulator op een koele en droge plaats te bewaren.**

- **De besturingseenheid van de automatisering schakelt niet in en de Led geeft geen enkele signalering.**

Dit kan afhangen van niet-correcte aansluitingen of van niet perfect ingestoken elektriciteitsdraden. Het is ook mogelijk dat de accumulator helemaal leeg is, waardoor hij geen enkele signalering kan geven: in dit geval is het nodig een snelle oplaadcyclus uit te voeren met behulp van de voedingseenheid (mod. PBC) of te wachten tot het zonnepaneel, correct aangesloten, de accumulator weer begint op te laden.

- **De accumulator heeft de neiging te snel te ontladen.**

Dit kan afhangen van overmatige veroudering van de accumulator, in dit geval dient de interne batterij te worden vervangen; daarnaast kan dit probleem veroorzaakt worden door een te intensief gebruik van de automatisering, waarbij de in hoofdstuk 3 van deze handlei-

ding aangegeven voorziene gebruikslimieten worden overschreden. Mogelijk betreft het ook een automatisering die niet geschikt is voor gebruik met PF, of die niet correct geconfigureerd is voor laag energieverbruik of, waarop teveel accessoires zijn aangesloten.

- **De accumulator laadt niet op.**

Dit kan afhangen van een storing van het zonnepaneel als gevolg van een onjuiste installatie ervan, van een verkeerde aansluiting van de kabels of van een storing van de accumulator.

PERIODIEK ONDERHOUD

In het algemeen heeft dit product geen speciaal onderhoud; door de installatie in de loop van de tijd regelmatig te controleren, kunt u deze echter altijd in goede staat van werking houden.

Voor een juist onderhoud dient u eens in de 6 maanden te controleren of er zich geen vuil op het zonnepaneel heeft opgehoopt (bijvoorbeeld bladeren, zand etc.); het rendement van een vuil paneel kan namelijk verminderen.

Daarnaast is het noodzakelijk te controleren of de accumulator vervangen moet worden. Door veroudering kan de autonomie van de accumulator in de loop der tijd namelijk afnemen.

Men dient te bedenken dat een lange levensduur van de accumulator voornamelijk wordt beïnvloed door hoge zomerse temperaturen die de veroudering van de onderdelen versnellen. De gemiddelde

levensduur van de accumulator bedraagt normaal gesproken circa 4-5 jaar; dit is ook afhankelijk van hoe intensief de automatisering gebruikt wordt. Ideaal is de accumulator niet teveel leeg te laten lopen als gevolg van snel opeenvolgende en lange manoeuvreercycli.

LET OP – De eventuele vervanging van de accumulator mag uitsluitend worden uitgevoerd door gekwalificeerd en ervaren personeel

AFDANKEN

Afdanken van het product

Dit product maakt integraal deel uit van de automatisering en moet dan ook samen met de automatisering worden afgedankt.

De ontmantelingwerkzaamheden aan het eind van de levensduur van dit product moeten, net als de installatiewerkzaamheden, worden uitgevoerd door gekwalificeerd personeel.

Dit product is opgebouwd uit verschillende soorten materiaal: sommigen hiervan kunnen gerecycled worden, anderen moeten als afval worden verwerkt. Win informatie in over de recycling- of afvalverwerkingsystemen die voor deze productcategorie zijn voorzien door de in uw land geldende voorschriften.

Let op! – Sommige delen van het product kunnen vervuilende of gevaarlijke substanties bevatten die, indien ze in het milieu terechtkomen, schadelijke effecten kunnen hebben op de omgeving of op de gezondheid van personen.

Zoals aangegeven door het symbool hiernaast, is het verboden dit product met het gewone huisvuil weg te gooien. Volg een "gescheiden afvalverwerking" volgens de methodes die voorzien zijn door de in uw land geldende voorschriften, of lever het product weer in bij de verkoper op het moment dat u een nieuw gelijksoortig product aanschaft.



Het product bevat bovendien een loodaccumulator, oftewel een element dat uiterst vervuilend is als het niet op de juiste wijze wordt afgedankt. De accumulator moet worden verwijderd en afgedankt zoals toegelicht in de paragraaf "Afdanken van de batterij".

Let op! – De voorschriften die plaatselijk van kracht zijn kunnen zwa-

re sancties voorzien in het geval van illegaal dumpen van dit product.

Afdanken van de accumulator

Let op! – De accumulator bevat vervuilende substanties en mag na verwijdering uit het product dan ook niet met het gewone huisvuil worden weggegooid. De accumulator dient als afval te worden verwerkt of gerecycled volgens de methoden die voorzien zijn door de voorschriften die van kracht zijn in uw land.

TECHNISCHE GEGEVENS VAN DE VERSCHILLENDE COMPONENTEN VAN HET PRODUCT

WAARSCHUWINGEN: • Het product PF wordt geproduceerd door Nice S.p.a. (TV) I. **Mhouse** is een merk van Nice S.p.a. • Alle vermelde technische gegevens hebben betrekking op een omgevingstemperatuur van 20°C (± 5°C) • Nice S.p.a. behoudt zich het recht voor om, op elk moment dat dit noodzakelijk geacht wordt, wijzigingen aan het product aan te brengen, waarbij hoe dan ook de functionaliteit en de gebruiksbestemming ervan gelijk blijven • De schatting van het minimumaantal cycli per dag, aangegeven in hoofdstuk 3 onder het punt "Gebruikslimieten", is uitsluitend geldig indien het zonnepaneel in de juiste richting is geplaatst en alle aangegeven condities in acht zijn genomen.

PB ACCUMULATOR

BESCHRIJVING	GEGEVENS
Nominale spanning:	24 V ---
Maximumstroom:	10 A
Nominale capaciteit van de batterij:	20 Ah
Beschermingsklasse:	IP 44
Gebruikstemperatuur:	van -20°C tot +50°C (bij het opladen met de noodvoedingseenheid: van 0°C tot +40°C)
Tijd die nodig is om volledig op te laden:	circa 15 uur (met gebruik van de noodvoedingseenheid)
Afmetingen:	258 mm x 235 mm x 180 mm
Gewicht:	14 kg

Opmerking – De op de PB gebruikte accumulators zijn van het type VRLA, "Valve Regulated Lead Acid Batteries", oftewel hermetische, via een klep geregelde accu's, en zijn conform de specifieke bepaling A67 van het IATA/ICAAO Reglement voor gevaarlijke goederen. PB en PF hoeven dus niet als gevaarlijke goederen te worden beschouwd en kunnen zonder enig risico door de lucht, over zee en over de weg worden getransporteerd.

PC ZONNEPANEEL

BESCHRIJVING	GEGEVENS
Nominale spanning:	24 V ---
Maximumvermogen:	10 W
Gebruikstemperatuur:	van -40°C tot +85°C
Afmetingen:	354 mm x 290 mm x 28 mm
Gewicht:	1,4 Kg

Waarschuwing – Het glas van het zonnepaneel is getest om hagel en stoten van gemiddelde kracht te weerstaan (is bestand tegen inslag van een stalen kogel van 227 gr., die van 1 meter hoogte valt). Bij bijzonder hevige hagel of stoten, kan het glas schade oplopen; in dergelijke gevallen dient u contact op te nemen met de Technische Klantenservice van Mhouse.

EG CONFORMITEITSVERKLARING

Opmerking - de inhoud van deze verklaring stemt overeen met hetgeen verklaard is in de laatste revisie die beschikbaar was voor het ter perse gaan van deze handleiding, van het officiële document dat is neergelegd bij de vestiging van Nice Spa. Deze tekst werd om uitgeversredenen heraangepast.

PF is geproduceerd door NICE S.p.a. (TV) I; Mhouse is een handelsmerk dat eigendom is van Nice S.p.a.

Nummer: 304/PF **Herziening: 0**

Ondergetekende, Luigi Paro, in de hoedanigheid van Algemeen Directeur, verklaart onder zijn eigen verantwoordelijkheid dat het product:

Naam fabrikant: NICE s.p.a.

Adres: Via Pezza Alta 13, Z.I. Rustignè, 31046 Oderzo (TV) Italia

Type: Zonne-energieset Mhouse

Modellen: PF

Accessoires: PBC

voldoet aan hetgeen voorzien wordt door de volgende communautaire richtlijnen:

- 2006/95/EEG (ex richtlijn 73/23/EG) RICHTLIJN 2006/95/EG VAN HET EUROPEES PARLEMENT EN DE RAAD van 12 december 2006 betreffende de onderlinge aanpassing van de wetgevingen der lidstaten inzake elektrisch materiaal bestemd voor gebruik binnen bepaalde spanningsgrenzen, volgens de volgende geharmoniseerde normen:
EN 60335-1:2002 + A1:2004 + A11:2004 + A12:2006 + A2:2006
- 2004/108/EEG (ex richtlijn 89/336/EEG) RICHTLIJN 2004/108/EG VAN HET EUROPEES PARLEMENT EN DE RAAD van 15 december 2004 betreffende de onderlinge aanpassing van de wetgevingen der lidstaten inzake elektromagnetische compatibiliteit en tot intrekking van Richtlijn 89/336/EEG, volgens de volgende normen:
EN 61000-6-2:2005; EN 61000-6-3:2007

Oderzo, 11 maart 2009



Luigi Paro (Algemeen Directeur)

EN - Technical documentation

Images

IT - Documentazione Tecnica

Immagini

FR - Documentation Technique

Images

ES - Documentación Técnica

Imágenes

DE - echnische Dokumentation

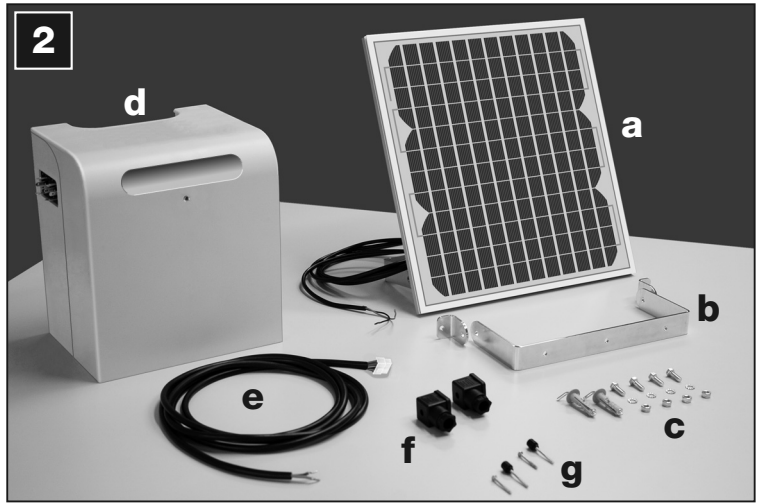
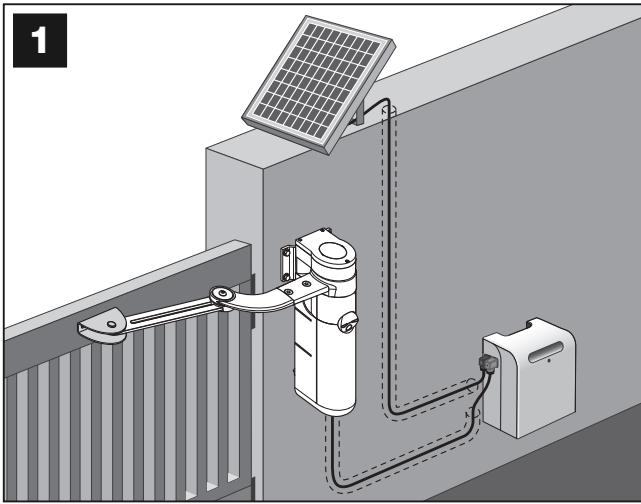
Bilder

PL - Dokumentacja Techniczna

Zdjęcia

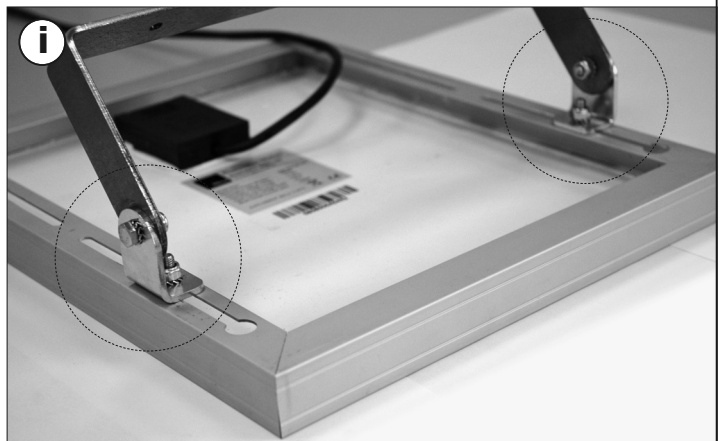
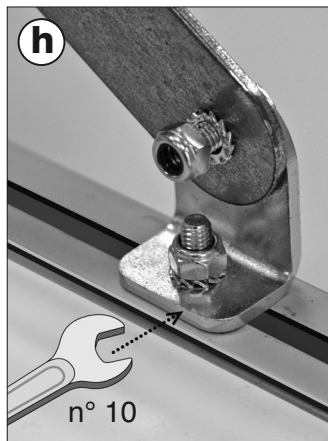
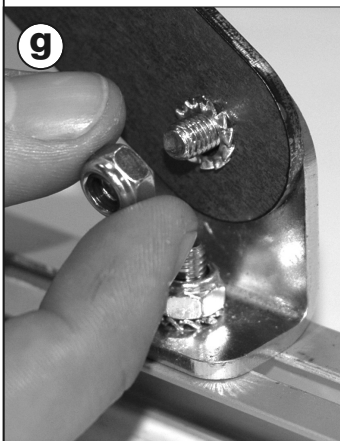
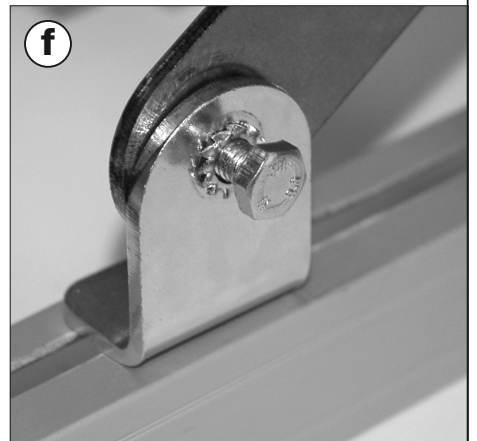
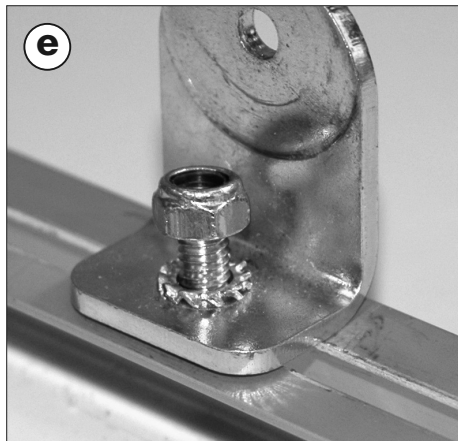
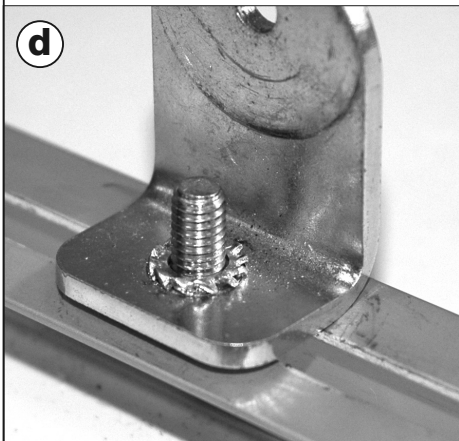
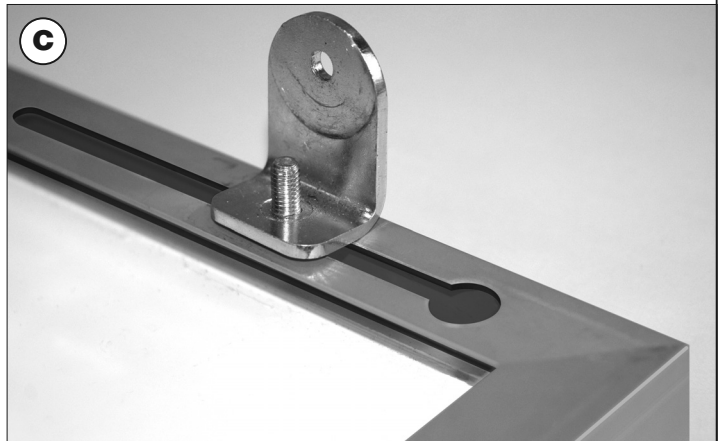
NL - Technische documentatie

Afbeeldingen

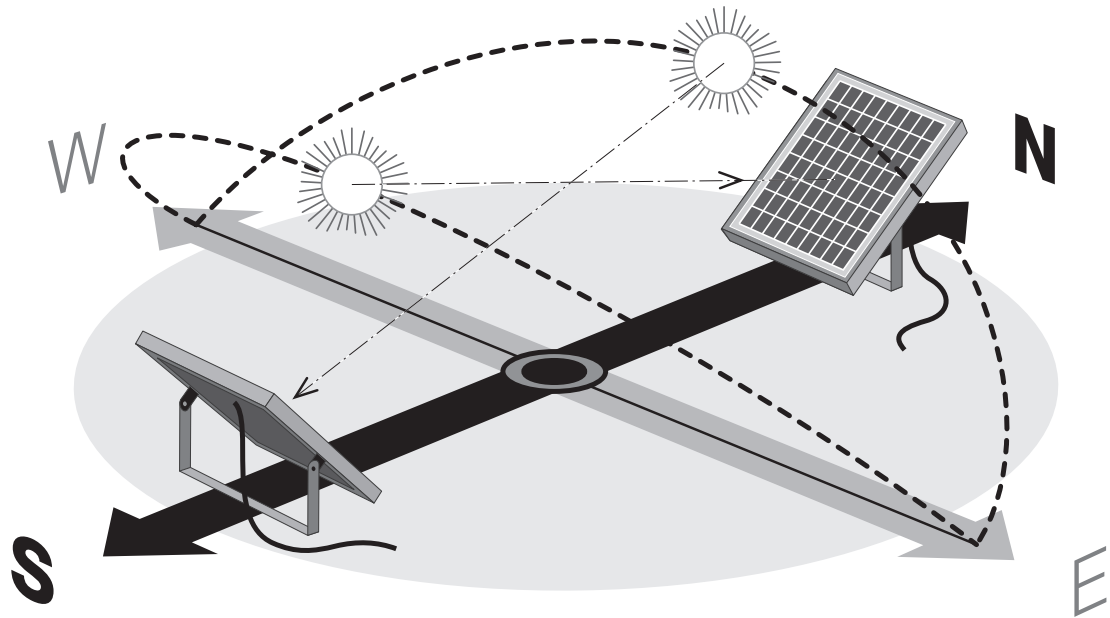


3 EN – Assembly of photovoltaic panel support bracket
 IT – Assemblaggio della staffa di supporto del pannello fotovoltaico
 FR – Assemblage de la patte de support du panneau photovoltaïque
 ES – Ensamblaje del soporte del panel fotovoltaico

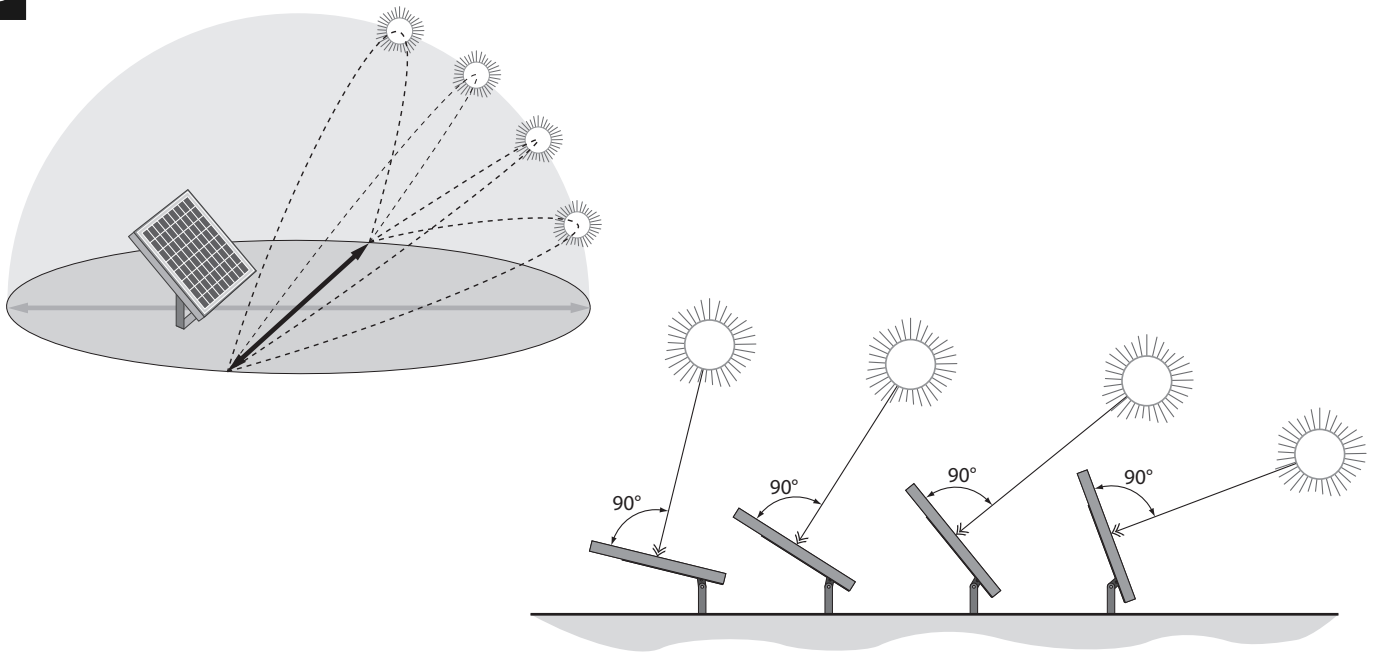
DE – Zusammenbau des Haltebügels des Kollektors für Photovoltaik
 PL – Składanie uchwyty mocującego panelu fotoelektrycznego
 NL – Montage van de draagbeugel van het zonnepaneel



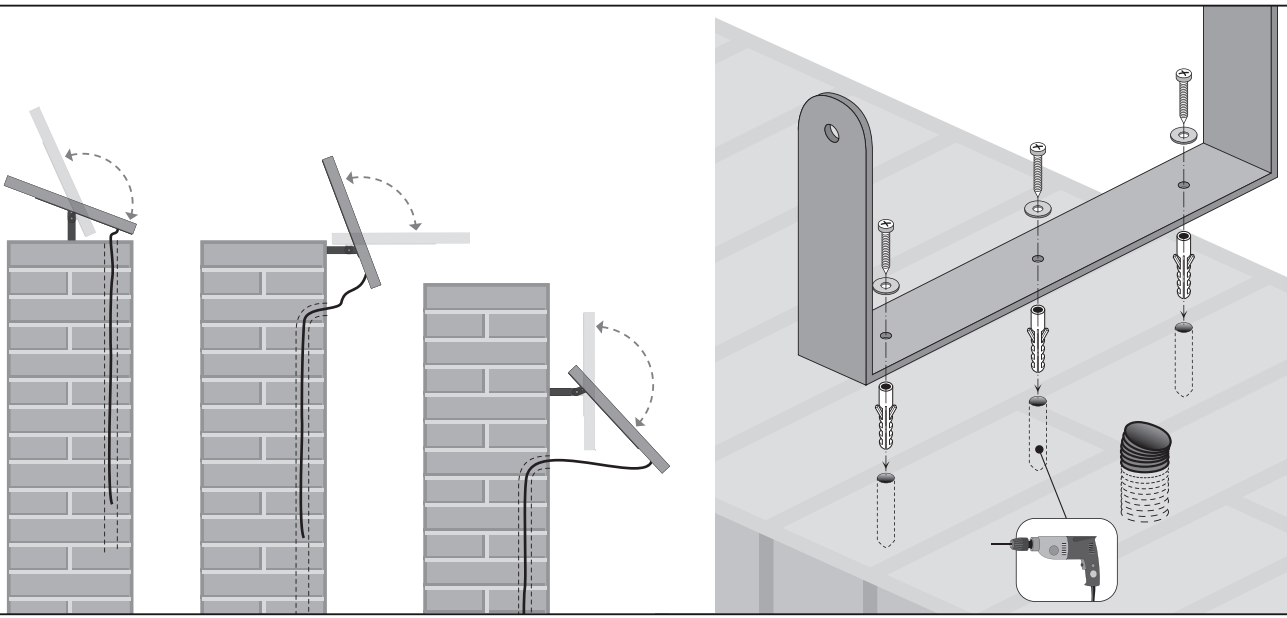
4

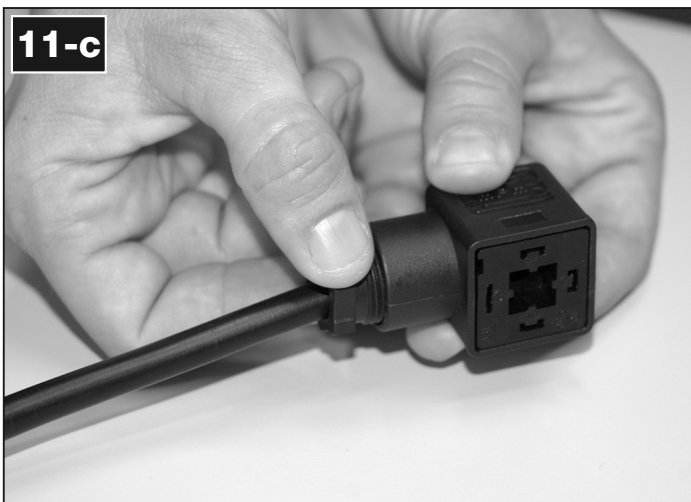
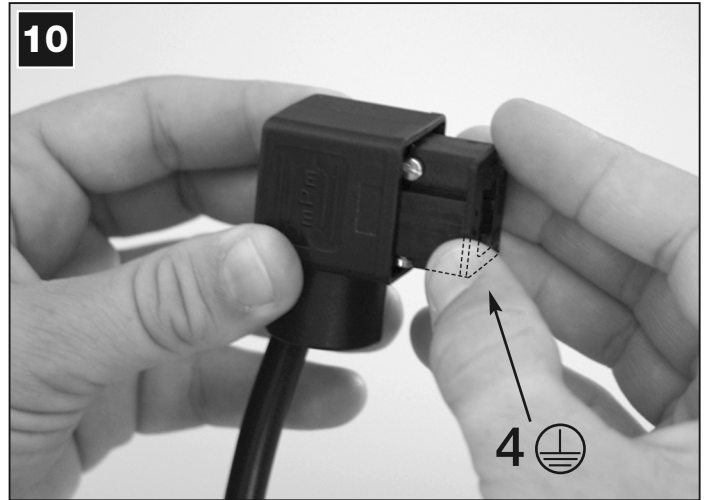
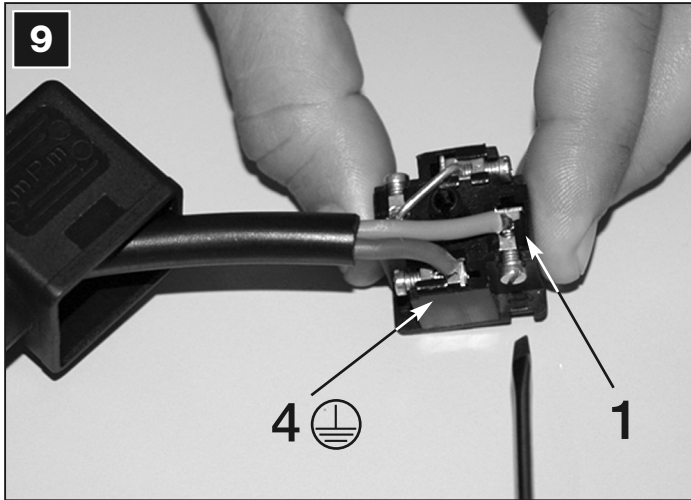
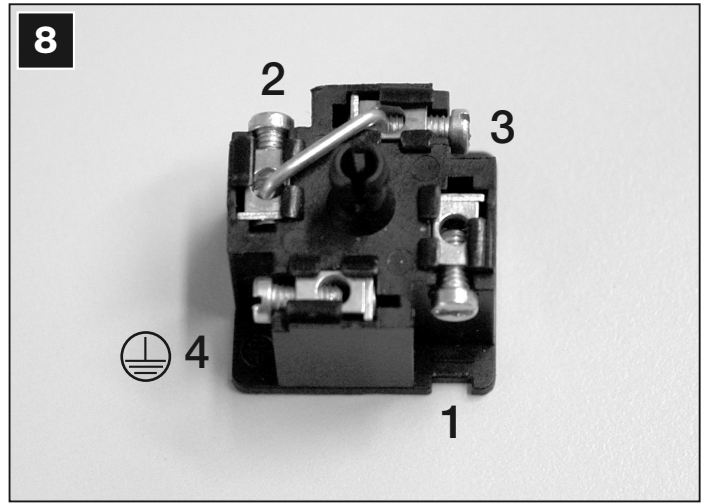
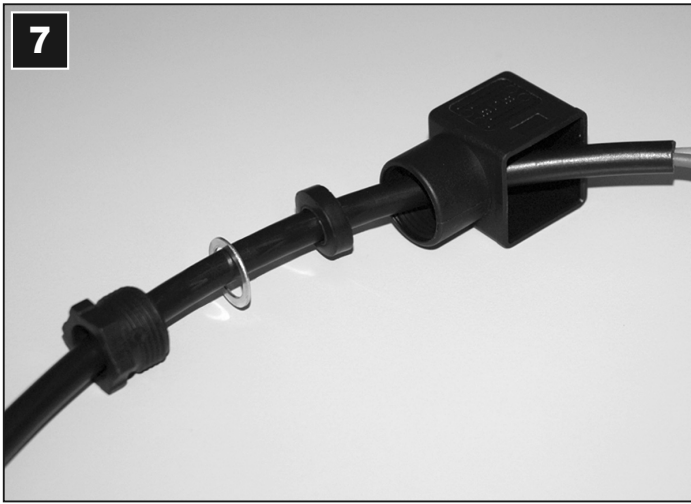


5

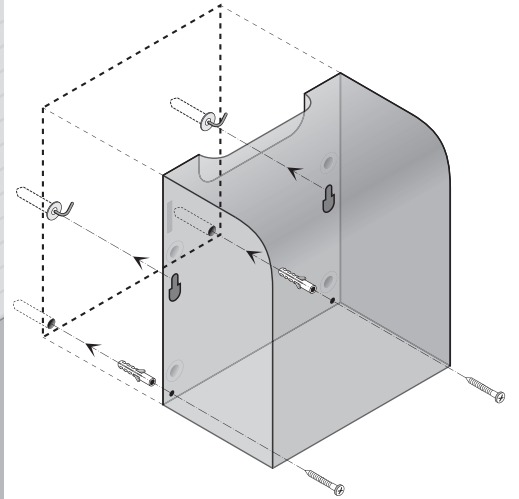
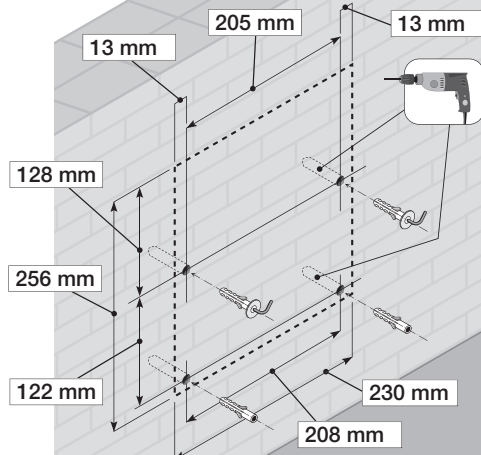
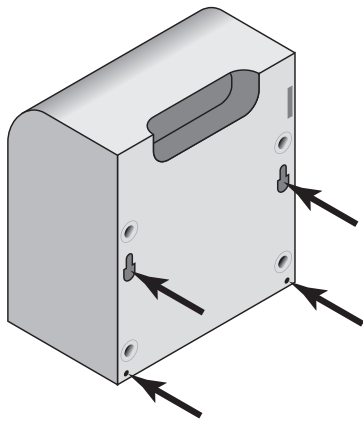


6

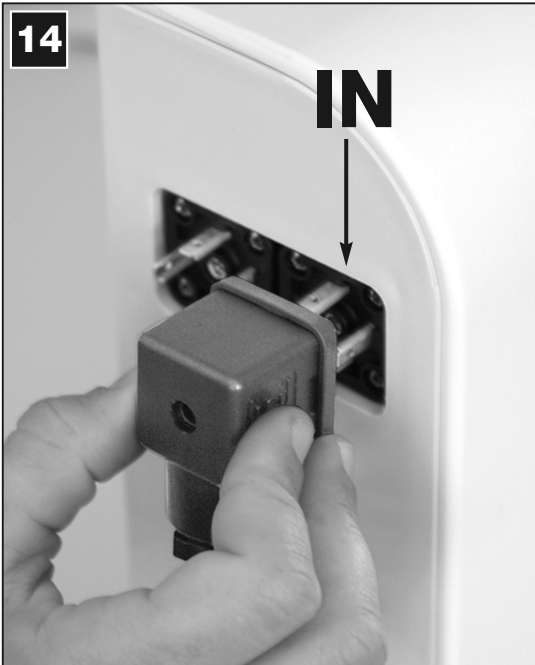




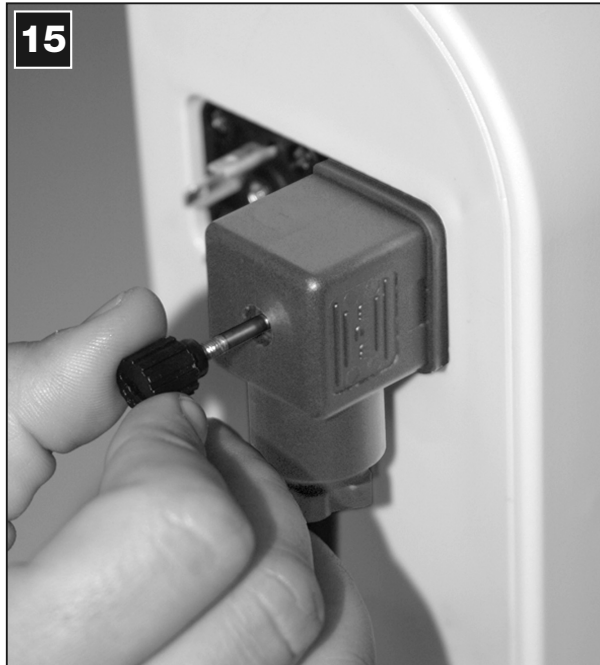
13



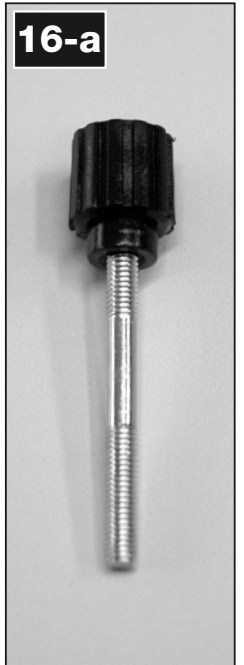
14



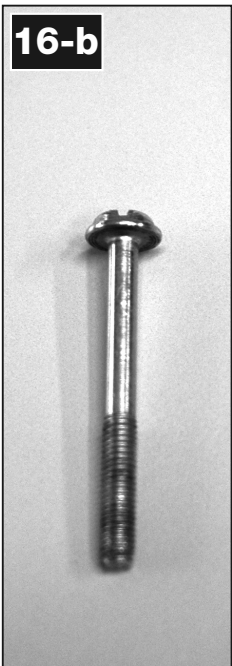
15



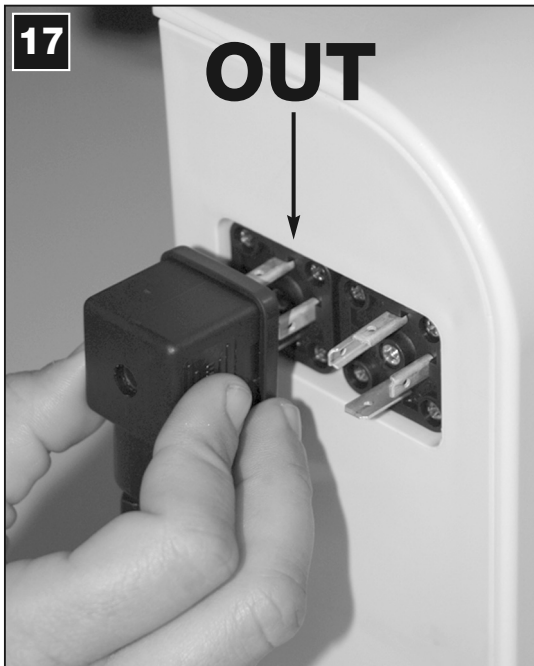
16-a



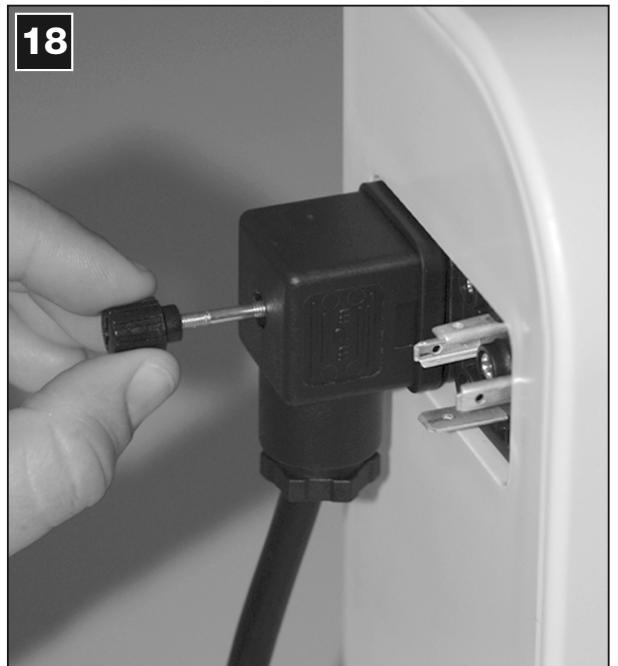
16-b

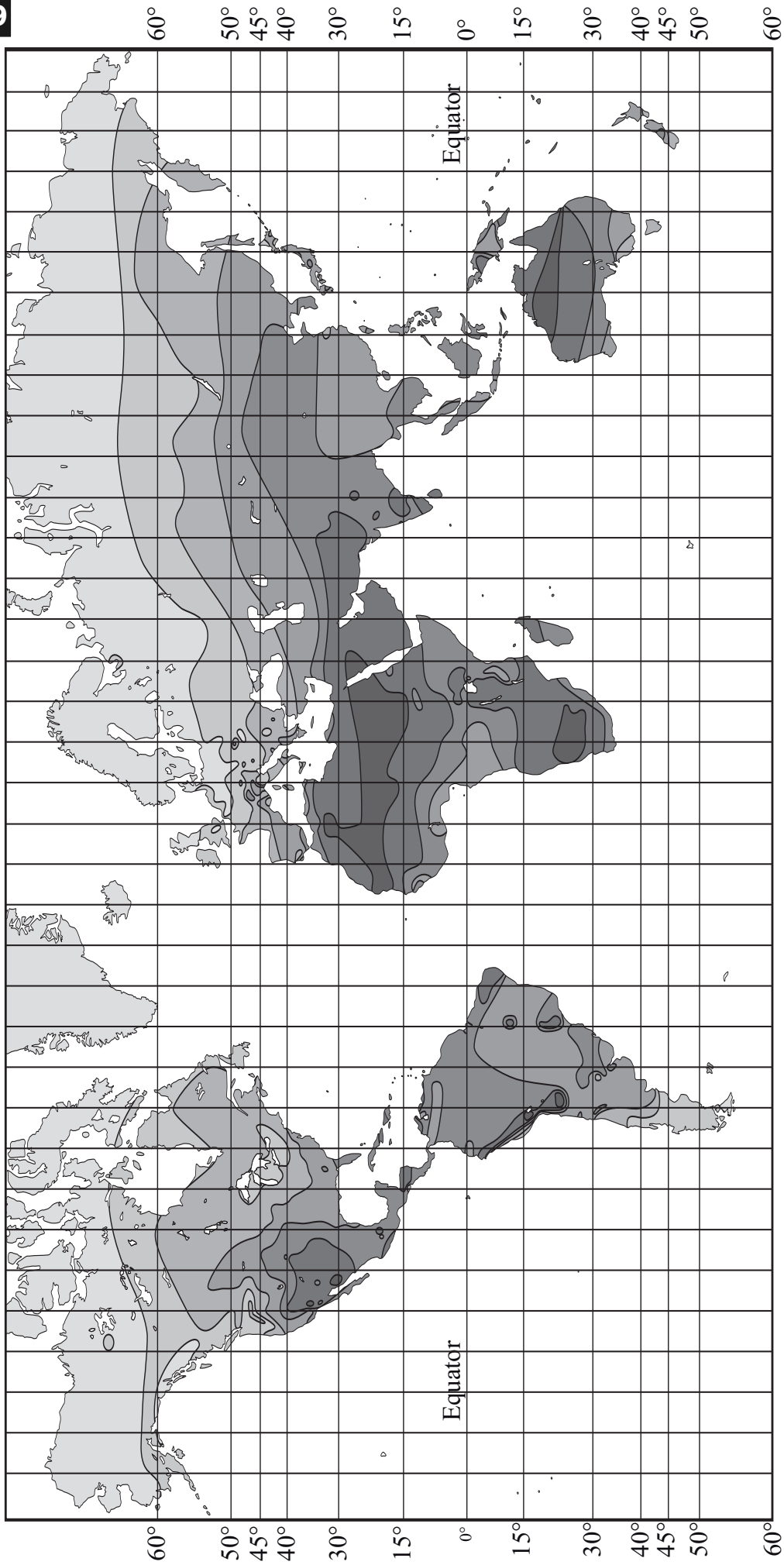


17



18





“Ea” = 5

“Ea” = 10

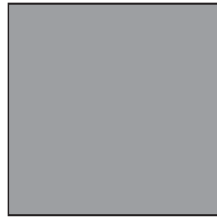
“Ea” = 12

“Ea” = 14

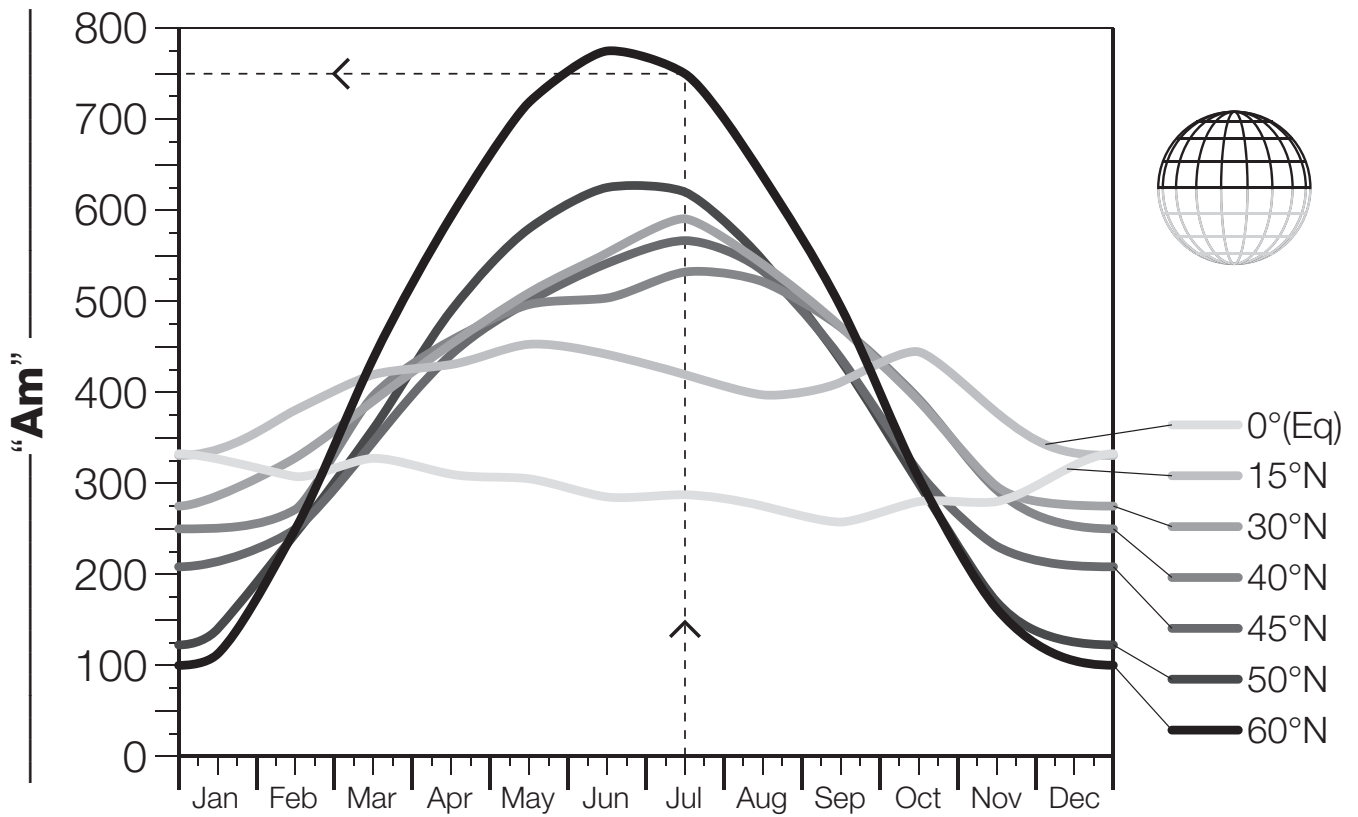
“Ea” = 16

“Ea” = 18

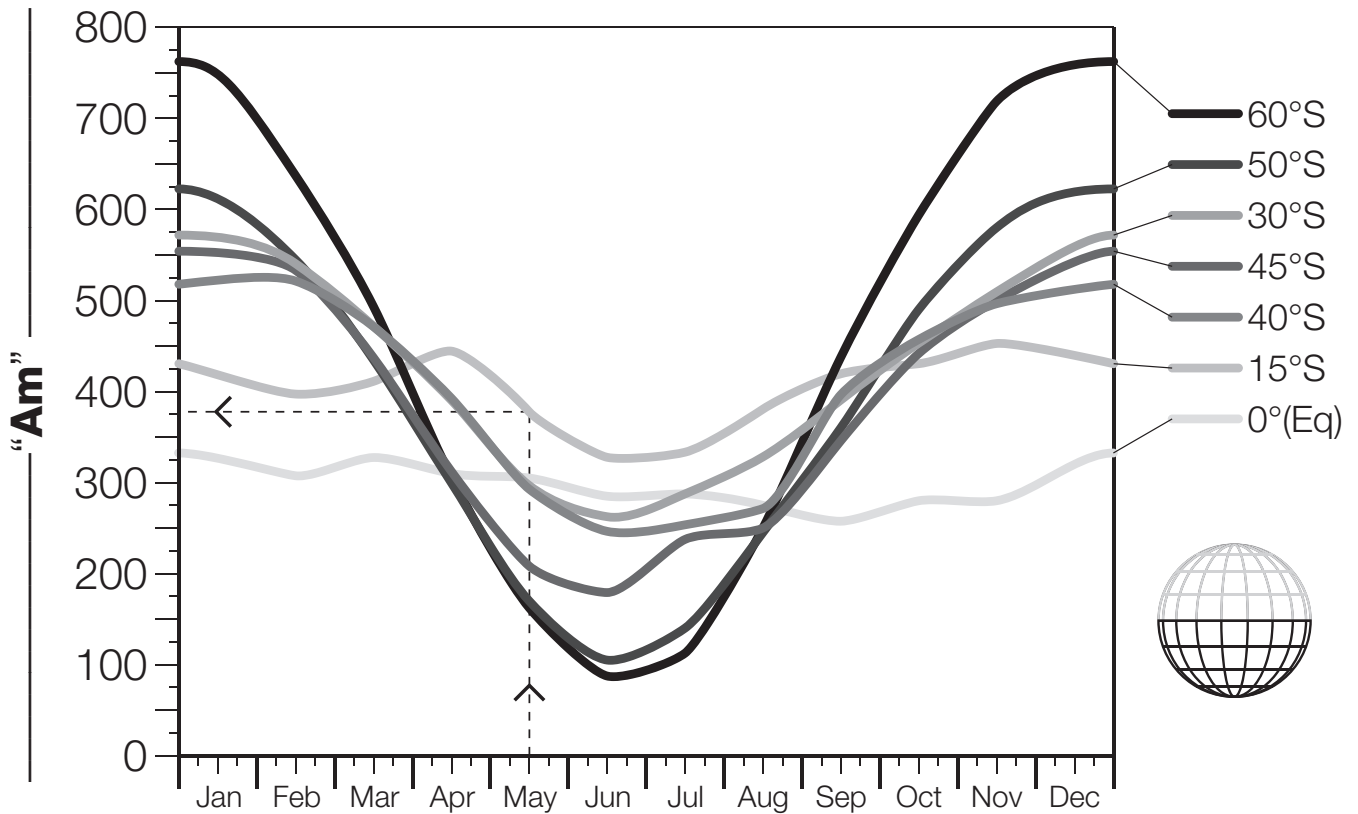
“Ea” = 20



4



4



Mhouse is a commercial trademark owned by Nice S.p.a.

Nice S.p.a.
Via Pezza Alta, 13 - Z.I. Rustignè
31046 Oderzo (TV), Italia
Tel. +39 0422 20 21 09
Fax +39 0422 85 25 82

